



Energy-saving Stable Strong power
 Energy-saving Stability Strong power
www.zjyuhai.cn



- Stepper Motor ■ Servo Motor
- Motor Drive ■ Couplings



WENLING YUHAI ELECTROMECHANICAL CO.,LTD.

Ministry of Foreign Trade

Add: Tangxia industrial park Xinhe Town

Wenling City Zhejiang

Sales Tex:0086-576-86580288 86518522

86518511

Fax:0086-576-86562022

<http://www.zjyuhai.cn>

E-mail:zjyuhai@zjyuhai.cn



WENLING YUHAI ELECTROMECHANICAL CO.,LTD.

China Professional Servo Motor Manufacture



Company INTRODUCTION

Wenling Yuhai Electromechanical Co.,Ltd founded in 1995, focuses on the development of servo motor, stepper motor, motor driver, couplings and planetary gearbox design, production and sales.

The company has a full set of production and testing equipment, higher quality research and development staff, the products are produced according to ISO9001 and CE standard. Widely used in automation equipment, such as CNC lathe, Milling machine, Packing machine, grinding machine, Engraving machine, printing machine, Medical apparatus, ATM machine ETC. Successfully export to Southeast Asia, Middle east, Africa, South America, North America, Europe market. Our tenet is "Customer first, Honest, Innovation"

In the coming days, the company will continue to technology innovation and management innovation. Take more social responsibilities and keep the production of environmental protection. The ultimate goal is to become a world-famous permanent magnet motor supplier.

HISTORY

2015

Yuhai pushed out some new high performance product, Successfully export to all over the world like India, Turkey, Thailand, Brazil, Russia, America, Germany etc, Attended the world-famous automation exhibition like SPS IPC DRIVES in Germany, Metalex in Thailand, Win-World in Turkey and so on.

2013-2014

Yuhai quality become one of the leading company in China domestic market, and try to develop more new product every year

2009-2012

New factory with 50000 square meter finished and in use

2006-2008

Yuhai established the driver develop department, specially in servo driver research and CNC controller

1999-2005

In accordance to the developing of market, Yuhai successfully passed the CE certificate, CCC certificate and ISO9001 management certificate, and applied for different kinds of patent.

1996-1998

Along with the development of automation industrial, in the market, 80% customer choose to use imported servo motor, Yuhai catch this opportunity and start to produce servo motor to meet the domestic customer demand.

1995

Along with the China's reform and opening up policy, Yuhai company founded.



Product development Winning Advantage

Independent research and development
Innovation in the future

Yuhai Company has professional R&D ability, strong technology, abundant practical application, plenty spare parts, impeccable management and the perfect service.

Company has professional R&D team with core technology, not only produce high quality product with newest technology, and also available to customize directly according to customer's request, to meet customer special demand.

Company has several senior engineer with full experience; Vdopt the motor standard that support by the servo motor all over the world; Avalable to offer you whole sendee solution.

Company obtain much praise and popular among the customer through rich experience and continuous effort especially in CNC lathe machine, Packing machine, Textile machine, Pnntmg machine, Robot, Robotic arm, Automation industrial field.



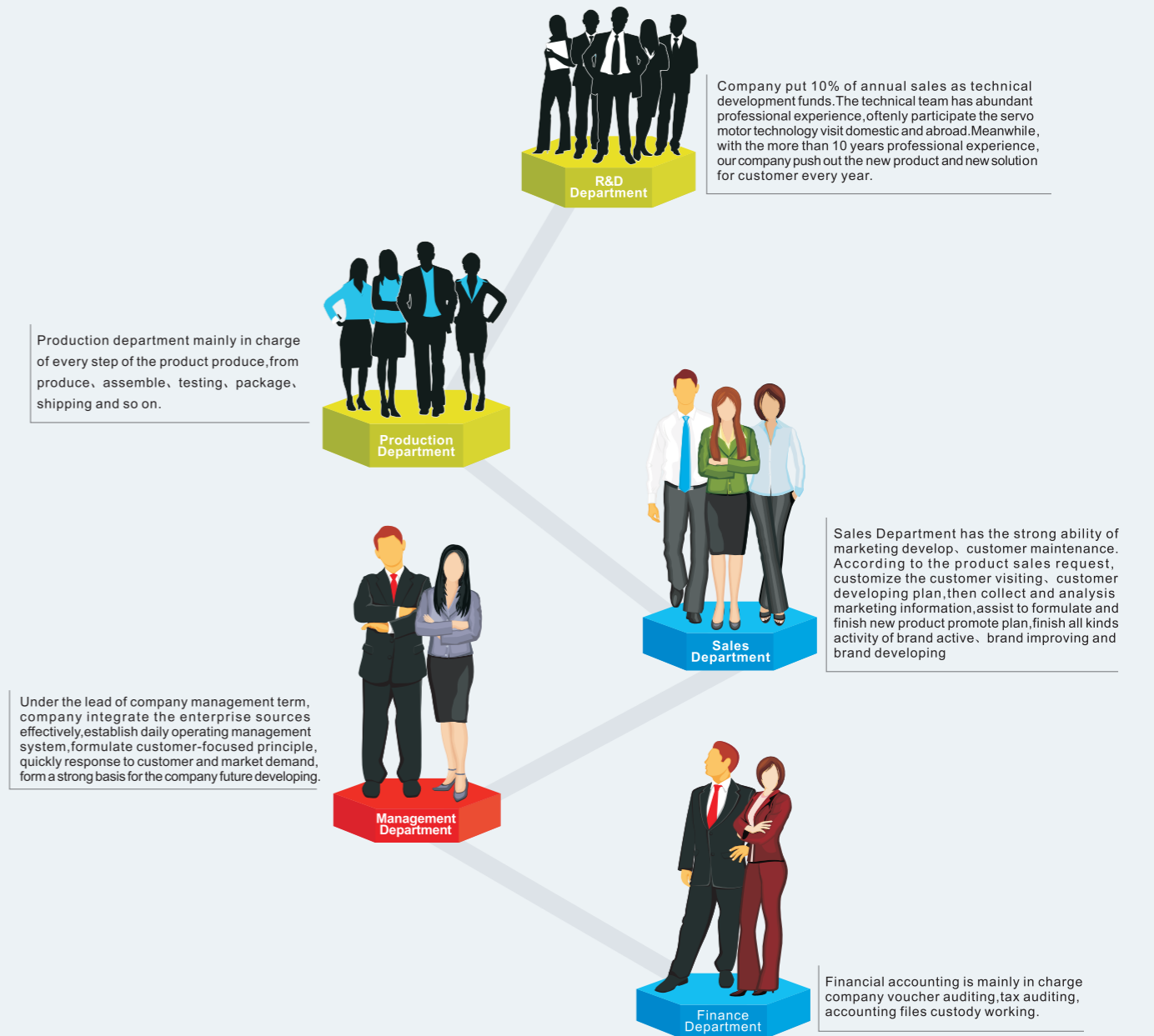
Company has largescale spare parts store, ensure the spare pari plentiful, enable to offer the fast service.

Company has thorough plan management, organization management, knowledge management, cost management, labor and personal management, sale management, team management and enterprise culture management, establish a complete risk emergency mechanism, to improve the quality of product and service, try to avoid customer lost.

Company has complete service procedure vavailable to help customer immediately online and offline, in the meantime, you can also contact us by phone for more detats, diflerent service mode try to meet customer demand.

Professional Team Create brilliant

Yuhai servo motor and stepper motor have high precision, high stable ability, exquisite appearance, successfully export to Southeast Asia, Russia, Europe, America, India, Turkey ETC. Widely used in CNC lathe, automation field, robot arm, engraving machine, machine center and so on.



Industry application



The servo motor and stepper motor of Yuhai company have widely application, high precision, strong stability, exquisite appearance. Well export to Southeast Asia, Russia, Europe, America, India, Turkey and so on, widely used in CNC lathe, Automation, Robotic arm, CNC router, Machine center, ATM and other automatic product

Product Contents

AC servo motor

60SY Series	02
80SY Series	03-04
90SY Series	05
110SY Series	06
130SY Series	07-08
180SY Series	09-10

204ZJY Ac Asynchronous Spindle Servo Motor

11-12

Servo Driver

SG Series Servo Driver	13
SG-AS Series Servo Driver	14
SD-S Series Spindle Servo Driver	15

Hybrid Stepper motor

57BYG 2/3 phase stepper motor series	16
86BYG 2/3 phase stepper motor series	17
110BYG 2/3 phase stepper motor series	18
130BYG 2/3 phase stepper motor series	19
150BYG 2/3 phase stepper motor series	20

Stepper Driver

YH-3722 Digital stepper driver	21
YH-2M982 two phase stepper driver	22

CNC controller

23-24

Couplings

25

FAB Series

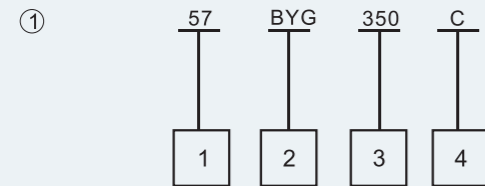
26-29

FABR Series

30-33

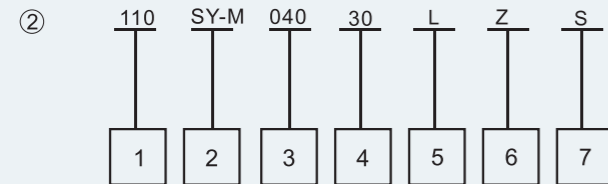


Product brief description



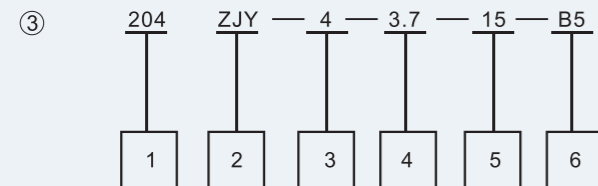
Hybrid stepper motor

- ① Shape side 57mm
- ② hybrid
- ③ 3 represents three phase.50 represent 50 teeth
- ④ represent torque type



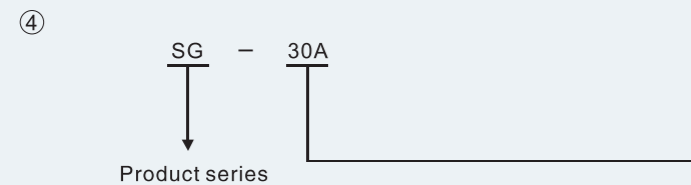
Permanent magnet AC servo motor

- ① Shape side 110mm
- ② Permanent magnet AC servo motor
- ③ 4N.m--040 represent the torque of 4 N.m
- ④ Speed/minutes 30 represent 3000 rpm
- ⑤ with brake
- ⑥ L representative 200V, usually omit, H representative 380V
- ⑦ Z representative with Brake



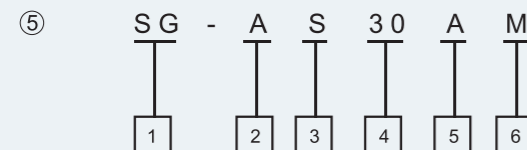
Spindle servo motor

- ① Shape side 204mm
- ② Ac asynchronous spindle servo motor
- ③ Pole pair number is 4
- ④ Rated power 3.7KW
- ⑤ Rated speed 1500 rpm
- ⑥ Installation method is the flange installation (B3:Horizontal installation B5:Flange installation B35:Horizontal/Flange installation)



Servo motor specifications

Model	output power(Kw)
15A	0.2-1.0
20A	0.4-1.5
30A	0.8-2.4



Servo motor specifications

- ① Product series
- ② A: Three phase 220V B: Three phase 380V
- ③ S: Single axis D: Double axis
- ④ Rated current
- ⑤ A: Pulse B: Analogue C: Canopen bus M2: Mechatrolink-II bus M3: Mechatrolink-III bus
- ⑥ F: Incremental M: Absolute

Purchase Concerned :

Our company has different type motors for your reference, please purchase according to your request like torque-frequency or contact with engineer and sales for more detail information. Our company available to customize to customer's request. This catalog and parameter maybe have some difference with product color due to the printing, please kindly refer to the real product, sorry for inconvenience caused.

Notice for installation :

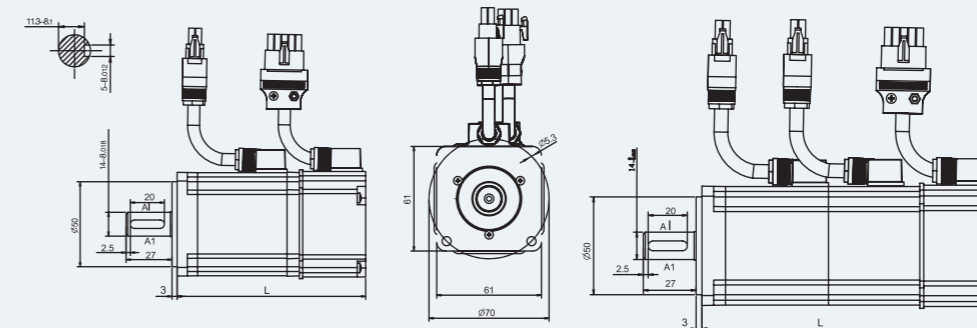
1. The place of installation should be no dust, corrosive gas or liquid, a void metal dust, oil, water getting into the inner motor. if have special requirements, pls add the protection device.
2. Installation spigot must be concentric with the axle load. use the flexible coupling to prevent the shaft being broken.
3. Ensure the radiation, high speed running of the motor will produce high temperature.
4. It is the inherent characteristics that the motor will produce high voltage when switched on.
5. When Motor or driver don't work, pls contact us or the distributors.

60 SY Series AC servo motor



Temperature	0℃ -55℃
Number of pole pairs	4
Incremental encoder line	2500/5000PPR
Absolute encoder	17/33bit
Humidity is less than	90%
Insulation class	B
Safety Class	IP65/IP54
Insulation and voltage resistance	AC 1500V, 1 Minute
Insulation resistance	DC500V, 10Ω above
Structure	Plastic packaging, Self-cooling
Vibration	Under 2.5G
Altitude	Under 1000m
Work system	Continuous
Installation Method	Flange installation

Installation Dimension unit=mm



Model	L (mm) Incremental encoder	LA (mm) with brake	L (mm) Absolute encoder
60SY-M00630	110	148	115
60SY-M01330	133	171	138
60SY-M01930	154	192	159

*All above is the standard installation dimension, can be changed according to the customers' requirements
*Not hit the shaft, or the encoder in the other end would be damaged.

Specifications

Motor Model	60SY-M00630	60SY-M01330	60SY-M01930
Rated Power(w)	200	400	600
Rated Current(A)	1.3	2.7	3.7
Rated Torque(N.m)	0.637	1.27	1.91
Max Torque(N.m)	1.91	3.81	5.4
Rated Speed(rpm)	3000	3000	3000
Max Speed(rpm)	3600	3600	3600
Rotor Inertia(KG.m ²)	0.264X10 ⁻⁴	0.407X10 ⁻⁴	0.526X10 ⁻⁴
Input Voltage (V)	(AC 220)		
Motor Weight (Kg)	1.18	1.70	2.10

Winding connection table

Winding wire	U	V	W	PE
Socket Number	1	2	3	4

Brake Wiring	Brake	Brake
Socket number	1	2
Brake voltage	DC24V	

Note : Brake voltage is DC 24V (Non polar requirement)

The encoder connection table

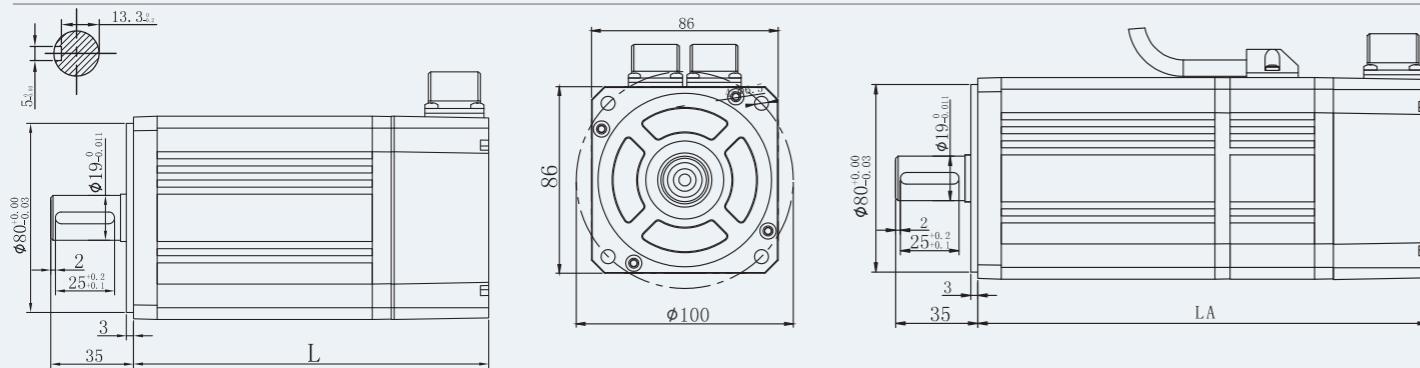
Signal Definitions	5V	OV	A+	B+	Z+	A-	B-	Z-	U+	V+	W+	U-	V-	W-	PE
Socket Number	2	3	9	4	7	13	14	5	6	10	11	8	12	15	1
Absolute signal definitions	PE	GND	VB	SD-	GND 0V	SD	Vcc 5V								
Socket Number	1	2	3	4	5	6	7								

90 SY Series AC servo motor



Temperature	0°C -55°C
Number of pole pairs	4
Incremental encoder line	2500/5000PPR
Absolute encoder	17/33bit
Humidity is less than	90%
Insulation class	B
Safety Class	IP54
Insulation and voltage resistance	AC 1500V, 1 Minute
Insulation resistance	DC500V, 10M above
Vibration	Under 2.5G
Altitude	Under 1000m
Work system	Continuous
Installation Method	Flange installation

Installation Dimension unit=mm



Model	L(mm)	LA(mm)with brake
90SY-M02430	149	190
90SY-M03520	171	212
90SY-M04025	181	222

Note:
*All above is the standard installation dimension, can be changed according to the customers' requirements
*Not hit the shaft, or the encoder in the other end would be damaged.

Specifications

Motor Model	90SY-M02430	90SY-M04025
Rated Power(Kw)	0.75	1.0
Rated Torque(N.m)	2.4	4
Max Torque(N.m)	7.1	12
Rated Current(A)	3	4
Rated Voltage (V)	220	220
Rated Speed(rpm)	3000	2500
Max Speed(rpm)	3600	3000
Rotor Inertia(Kg.m ²)	2.45x10 ⁻⁴	3.7x10 ⁻⁴
Motor Weight (Kg)	3.1	4.13

The encoder connection table

Winding wire	U	V	W	PE
Socket Number	2	3	4	1

Brake Wiring	Brake	Brake
Socket number	1	2
Brake voltage	DC24V	

Note : Brake voltage is DC 24V (Non polar requirement)

Encoder wiring table

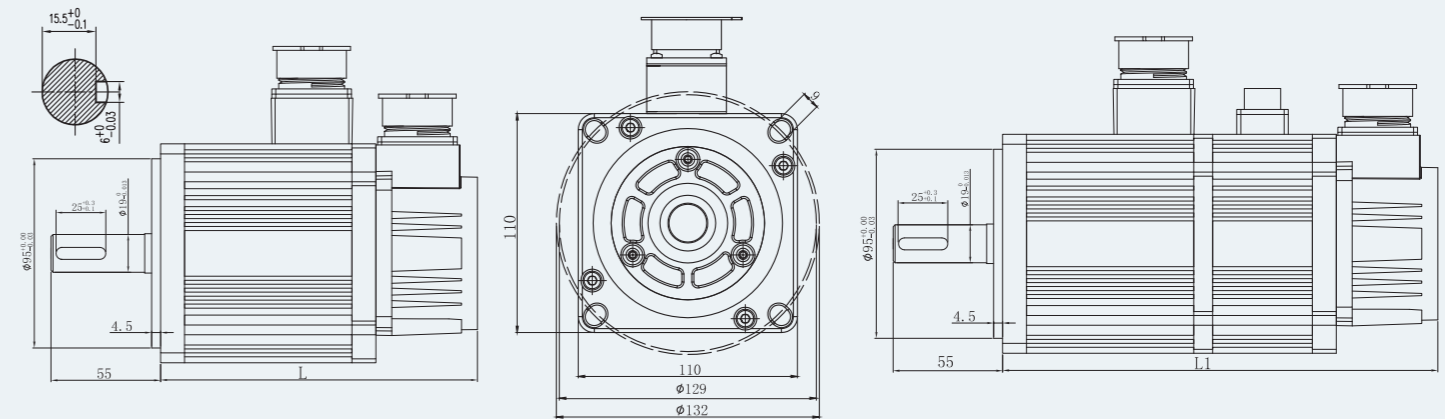
Signal definition	5V	OV	A+	B+	Z+	A-	B-	Z-	U+	V+	W+	U-	V-	W-	PE
Socket Number	2	3	4	5	6	7	8	9	10	11	12	13	14	15	1
Absolute signal definitions	PE		GND		VB		SD-		GND 0V		SD		Vcc 5V		
Socket Number	1		2		3		4		5		6		7		

110 SY Series AC servo motor



Temperature	0°C -55°C
Number of pole pairs	4
Incremental encoder line	2500/5000PPR
Absolute encoder	17/33bit
Humidity is less than	90%
Insulation class	B
Safety Class	IP65
Insulation and voltage resistance	AC 1500V, 1 Minute
Insulation resistance	DC500V, 10M above
Vibration	Under 2.5G
Altitude	Under 1000m
Work system	Continuous
Installation Method	Flange installation

Installation Dimension unit=mm



Specifications	2N.m	4N.m	5N.m	6N.m
L	160	190	205	220
L1	220	250	265	280

Note:
*All above is the standard installation dimension, can be changed according to the customers' requirements
*Not hit the shaft, or the encoder in the other end would be damaged.

Specifications

Motor Model	110SY-M02030	110SY-M04020	110SY-M04030	110SY-M05020	110SY-M05030	110SY-M06020	110SY-M06030	110SY-M08025
Rated Power(Kw)	0.6	0.8	1.2	1.0	1.5	1.2	1.8	2.0
Rated Current(A)	4	3.2	5	4	5	4.5	6.0	7
Rated Torque(N.m)	2	4	4	5	5	6	6	8
Max Torque(N.m)	6	12	12	15	15	18	18	24
Rated Speed(rpm)	3000	2000	3000	2000	3000	2000	3000	2500
Max Speed(rpm)	3300	2500	3300	2500	3300	2500	3300	3000
Rotor Inertia(Kg.m ²)	0.33x10 ⁻³	0.65x10 ⁻³	0.65x10 ⁻³	0.82x10 ⁻³	0.82x10 ⁻³	1.0x10 ⁻³	1.0x10 ⁻³	1.28x10 ⁻³
Motor Weight (Kg)	5	6.2	6.2	6.9	6.9	7.8	7.8	9.5

power line

110SY-M series motor's winding by the 4-core connector, for the corresponding please check the following form 1

The encoder connection table

Winding wire	U	V	W	PE
Socket Number	2	3	4	1

Brake Wiring	Brake	Brake
Socket number	1	2
Brake voltage	DC24V	

Note : Brake voltage is DC 24V (Non polar requirement)

Encoder wiring table

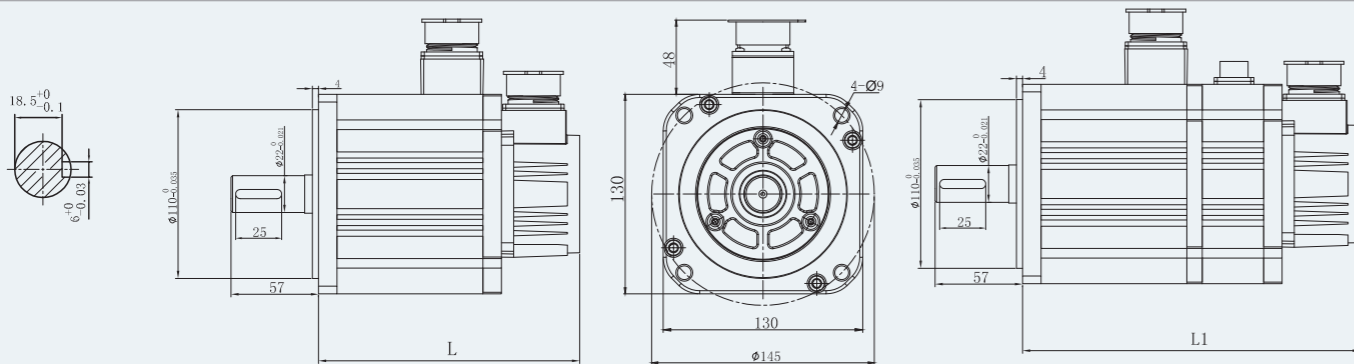
Signal definition	5V	OV	A+	B+	Z+	A-	B-	Z-	U+	V+	W+	U-	V-	W-	PE
Socket Number	2	3	4	5	6	7	8	9	10	11	12	13	14	15	1
Absolute signal definitions	PE		GND		VB		SD-		GND 0V		SD		Vcc 5V		
Socket Number	1		2		3		4		5		6		7		

130 SY Series AC servo motor



Temperature	0°C -55°C
Number of pole pairs	4
Incremental encoder line	2500/5000PPR
Absolute encoder	17/33bit
Humidity is less than	90%
Insulation class	B
Safety Class	IP65
Insulation and voltage resistance	AC 1500V, 1 Minute
Insulation resistance	DC500V, 10M above
Vibration	Under 2.5G
Altitude	Under 1000m
Work system	Continuous
Installation Method	Flange installation

Installation size chart unit=mm



130SY-M Motor length

Specifications	4N.m	5N.m	6N.m	7.7N.m	10N.m	15N.m	20N.m
L	169	175	182	195	212	234	269
L1	219	225	232	245	262	299	334

Note:
*All above is the standard installation dimension, can be changed according to the customers' requirements
*Not hit the shaft, or the encoder in the other end would be damaged.

Specifications

Motor Model	130SY-M04025	130SY-M05025	130SY-M06025	130SY-M07720	130SY-M07725	130SY-M10010	130SY-M10015	130SY-M10025	130SY-M15015	130SY-M15025	130SY-M20015
Rated Power(Kw)	1.0	1.3	1.5	1.6	2.0	1.0	1.5	2.6	2.3	3.8	3
Rated Current(A)	4.0	5.0	6.0	5.5	7.5	4.5	6	10	9.5	17	15
Rated Torque(N.m)	4	5	6	7.7	7.7	10	10	10	15	15	20
Max Torque(N.m)	12	15	18	22	22	25	25	25	30	30	40
Rated Speed(rpm)	2500	2500	2500	2000	2500	1000	1500	2500	1500	2500	1500
Max Speed(rpm)	2800	2800	2800	2500	2800	1500	1800	2800	1800	2800	1800
Rotor Inertia(Kg.m ²)	0.82x10 ⁻³	1.20x10 ⁻³	1.26x10 ⁻³	1.53x10 ⁻³	1.53x10 ⁻³	1.94x10 ⁻³	1.94x10 ⁻³	1.94x10 ⁻³	1.94x10 ⁻³	2.77x10 ⁻³	3.67x10 ⁻³
Motor Weight (Kg)	6.5	7.0	7.5	8.5	8.5	10	10	10	12	12	15

power line

130SY-M series motor's winding by the 4-core connector, for the corresponding please check the following form 1

The encoder connection table

Winding wire	U	V	W	PE	Brake Wiring	Brake	Brake
Socket Number	2	3	4	1	Socket number	1	2
					Brake voltage	DC24V	

Note : Brake voltage is DC 24V (Non polar requirement)

Encoder wiring table

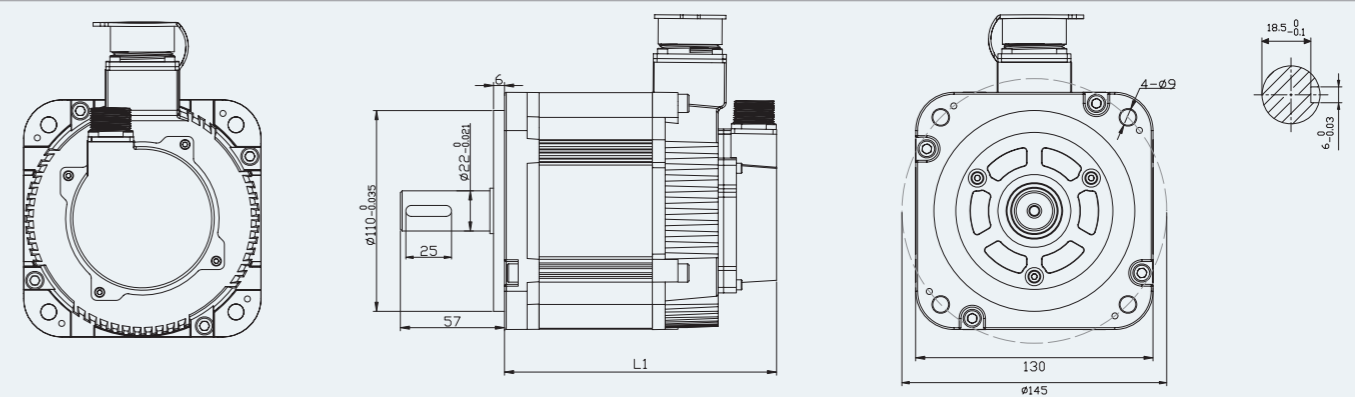
Signal definition	5V	OV	A+	B+	Z+	A-	B-	Z-	U+	V+	W+	U-	V-	W-	PE
Socket Number	2	3	4	5	6	7	8	9	10	11	12	13	14	15	1
Absolute signal definitions	PE	GND	VB	SD-	GND 0V	SD	Vcc 5V								
Socket Number	1	2	3	4	5	6	7								

130 SY Series AC servo motor



Temperature	0°C -55°C
Number of pole pairs	4
Incremental encoder line	2500/5000PPR
Absolute encoder	17/33bit
Humidity is less than	90%
Insulation class	B
Safety Class	IP65
Insulation and voltage resistance	AC 1500V, 1 Minute
Insulation resistance	DC500V, 10M above
Vibration	Under 2.5G
Altitude	Under 1000m
Work system	Continuous
Installation Method	Flange installation

Installation size chart unit=mm



130SY-M-S Motor length

Specifications	1Kw	1.5Kw	2Kw
L	149	174	199
L1(With brake)	180.5	205.5	230.5

Note:
*All above is the standard installation dimension, can be changed according to the customers' requirements
*Not hit the shaft, or the encoder in the other end would be damaged.

Specifications

Motor Model	130SY-M05020-S	130SY-M07220-S	130SY-M10020-S
Rated Power(Kw)	1.0	1.5	2
Rated Current(A)	5	7.5	10
Rated Torque(N.m)	4.77	7.16	9.55
Max Torque(N.m)	14.31	21.48	28.65
Rated Speed(rpm)	2000	2000	2000
Max Speed(rpm)	3000	3000	3000
Rotor Inertia(Kg.m ²)	1.08x10 ⁻³	1.54x10 ⁻³	1.98x10 ⁻³
Motor Weight (Kg)	7.8	8.9	10.2

power line

130SY-M series motor's winding by the 4-core connector, for the corresponding please check the following form 1

The encoder connection table

Winding wire	U	V	W	PE	Brake Wiring	Brake	Brake
Socket Number	2	3	4	1	Socket number	1	2
					Brake voltage	DC24V	

Note : Brake voltage is DC 24V (Non polar requirement)

Encoder wiring table

Signal definition	5V	OV	A+	B+	Z+	A-	B-	Z-	PE
Socket Number	2	3	4	5	6	7	8	9	1
Absolute signal definitions	PE	GND	VB	SD-	GND 0V	SD	Vcc 5V		
Socket Number	1	2	3	4	5	6	7		

180 SY Series AC servo motor



Temperature	0°C -55°C
Number of pole pairs	4
Incremental encoder line	2500/5000PPR
Absolute encoder	17/33bit
Humidity is less than	90%
Insulation class	B
Safety Class	IP65
Insulation and voltage resistance	AC 1500V, 1 Minute
Insulation resistance	DC500V, 10M above
Vibration	Under 2.5G
Altitude	Under 1000m
Work system	Continuous
Installation Method	Flange installation

Specifications

Motor Model	180SY-M17015	180SY-M17015-H	180SY-M27015	180SY-M27015-H	180SY-M35015	180SY-M35015-H
Rated Power(Kw)	2.7	2.7	4.3	4.3	5.5	5.5
Rated Current(A)	10.5	6.5	16	10	19	12
Rated Voltage (V)	220	380	220	380	220	380
Rated Torque(N.m)	17	17	27	27	35	35
Max Torque(N.m)	34	34	54	54	70	70
Rated Speed(rpm)	1500	1500	1500	1500	1500	1500
Max Speed(rpm)	1800	1800	1800	1800	1800	1800
Rotor Inertia(Kg.m ²)	3.4x10 ⁻³	3.4x10 ⁻³	6.1x10 ⁻³	6.1x10 ⁻³	8.6x10 ⁻³	8.6x10 ⁻³
Motor Weight (Kg)	19.5	19.5	25.5	25.5	30.5	30.5

The encoder connection table

Winding wire	U	V	W	PE
Socket Number	2	3	4	1

Brake Wiring	Brake	Brake
Socket number	1	2
Brake voltage	DC24V	

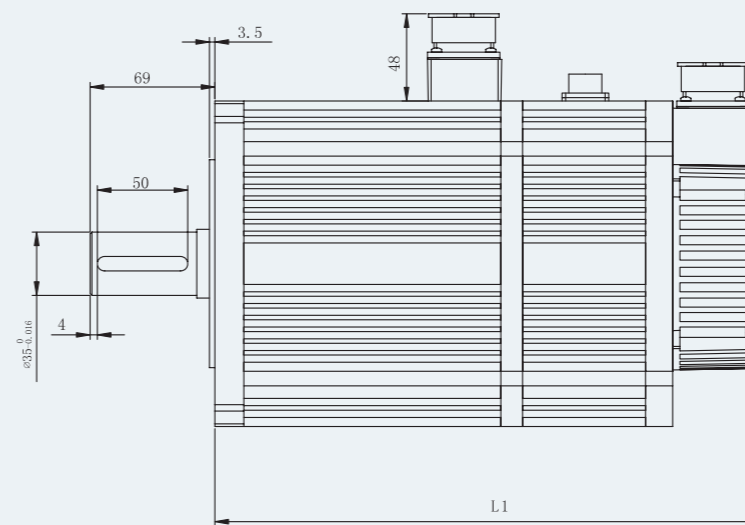
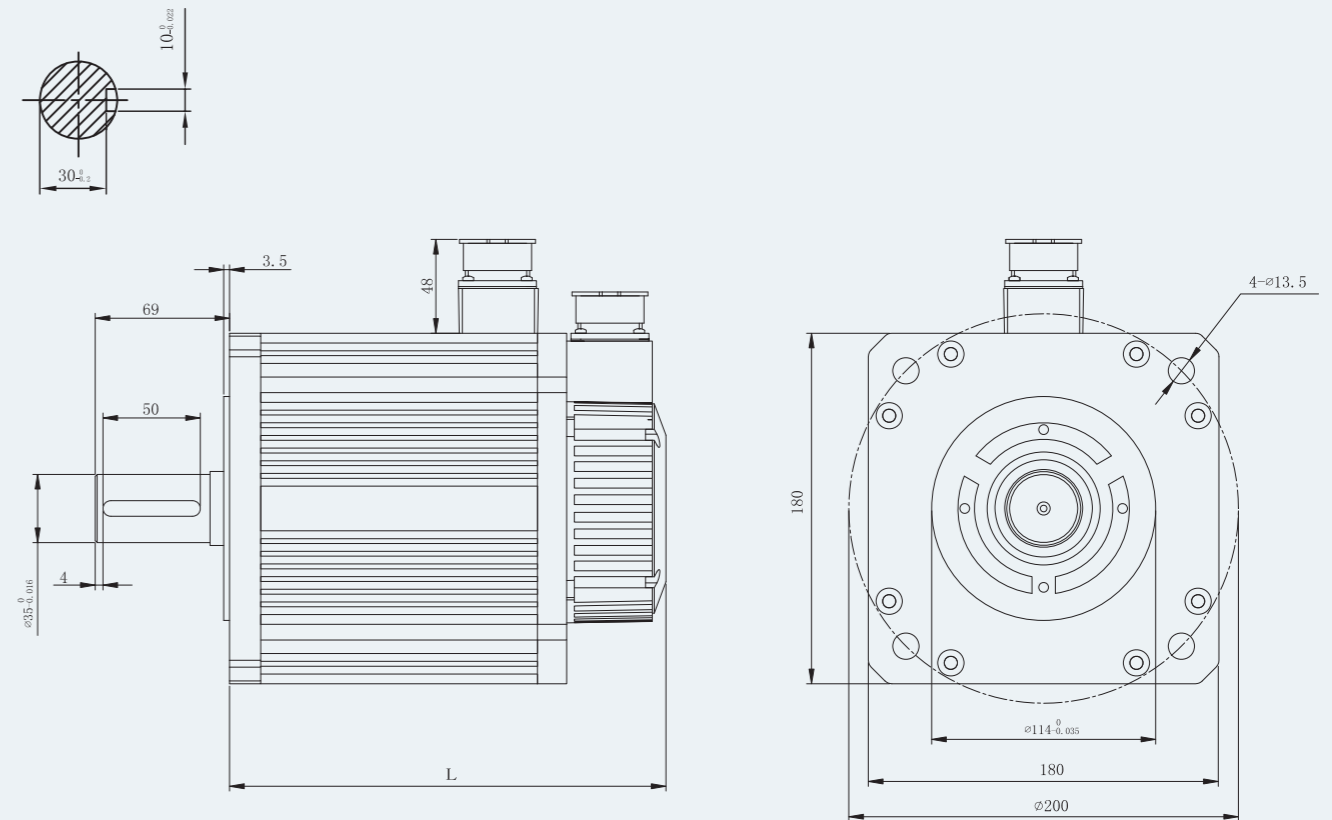
Note : Brake voltage is DC 24V (Non polar requirement)

Encoder wiring table

Signal definition	5V	OV	A+	B+	Z+	A-	B-	Z-	U+	V+	W+	U-	V-	W-	PE
Socket Number	2	3	4	5	6	7	8	9	10	11	12	13	14	15	1

Absolute signal definitions	PE	GND	VB	SD-	GND 0V	SD	Vcc 5V
Socket Number	1	2	3	4	5	6	7

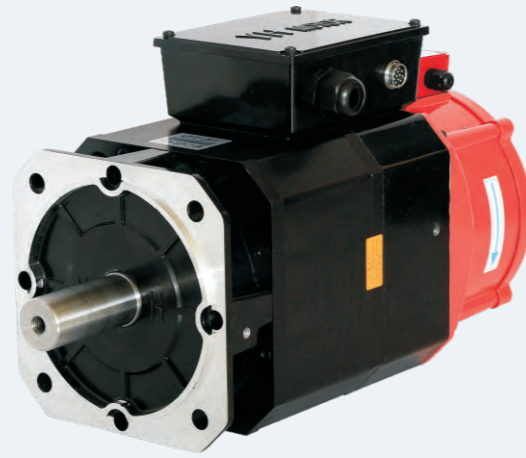
Installation size chart unit=mm



Specifications	17N.m	27N.m	35N.m
L	226	262	292
L1	306	342	372

Note:
*All above is the standard installation dimension, can be changed according to the customers' requirements
*Not hit the shaft, or the encoder in the other end would be damaged.

204ZJY Series Ac Asynchronous Spindle Servo Motor



Temperature	0°C -55°C
Number of poles	4
Incremental encoder line	1024
Absolute encoder	17bit
Humidity is less than	90%
Insulation class	B
Safety Class	IP54
Insulation and voltage resistance	AC 1500V, 1 Minute
Insulation resistance	DC500V, 10M above
Vibration	Under 2.5G
Altitude	Under 1000m
Work system	Continuous
Installation Method	Flange installation

Performance introduction

204ZJY series AC asynchronous spindle servo motor is a new AC induction servo motor, it is independent research and development, design, and produced by Wenling yuhai electromechanical CO.,LTD. The product has the advantages of compact structure, beautiful appearance. It adopts optimum electromagnetic design, high speed photoelectric encoder, high precision bearings and F level insulation. It is in stable operation, high control precision, low electromagnetic noise, high efficiency, long service life and high performance price ratio. It is particularly suitable for the spindle control of CNC machine tool and the speed control of high performance automation.

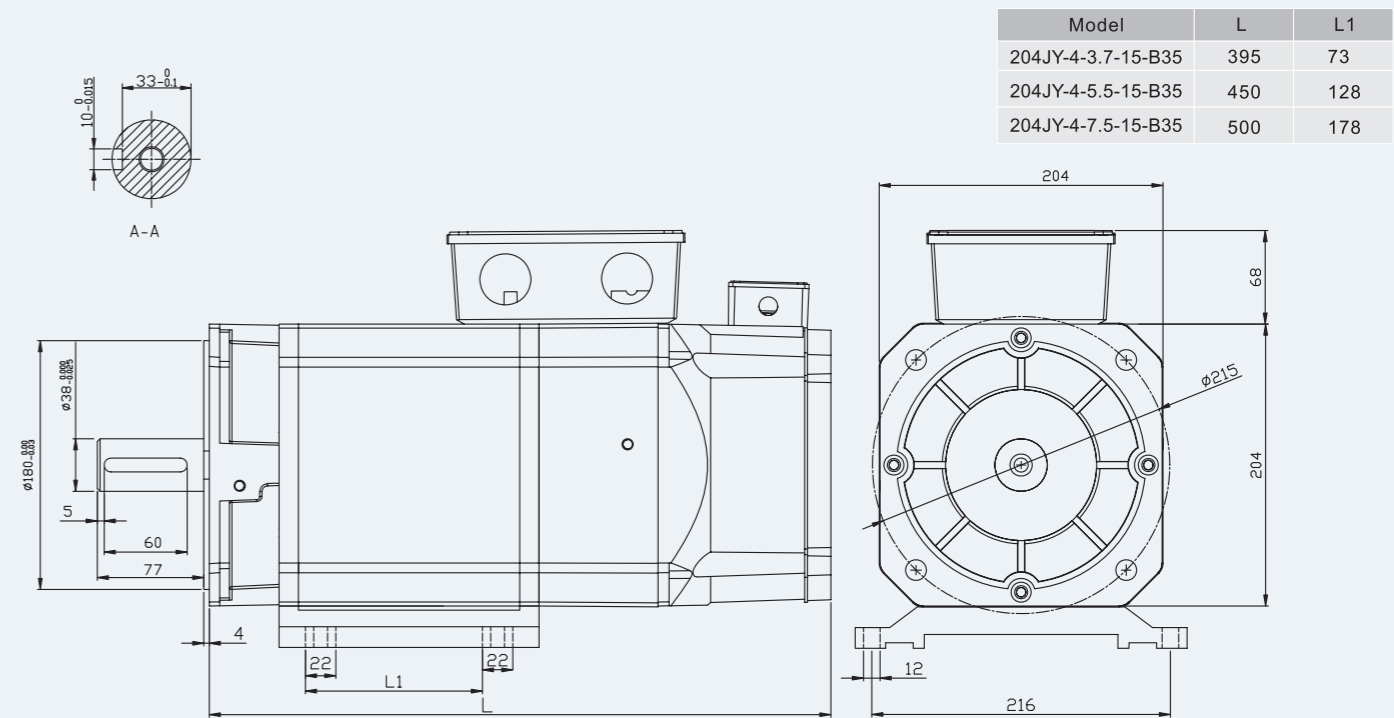
Notice

1. Motor U, V, W wiring must keep corresponding relation with the drive U, V,
2. Prohibit to hit the end of axis or let the motor axial force, To avoid damaging the encoder and motor bearing.
3. Ensure the terminal in the motor's junction box grounded effectively.
4. Ensure that the cooling fan is in the normal work when the motor adjust speed.
5. The motor's surface temperature is higher during operation, avoid touching by hand to prevent burns.
6. Fan wind direction must be consistent with the signage when wiring.

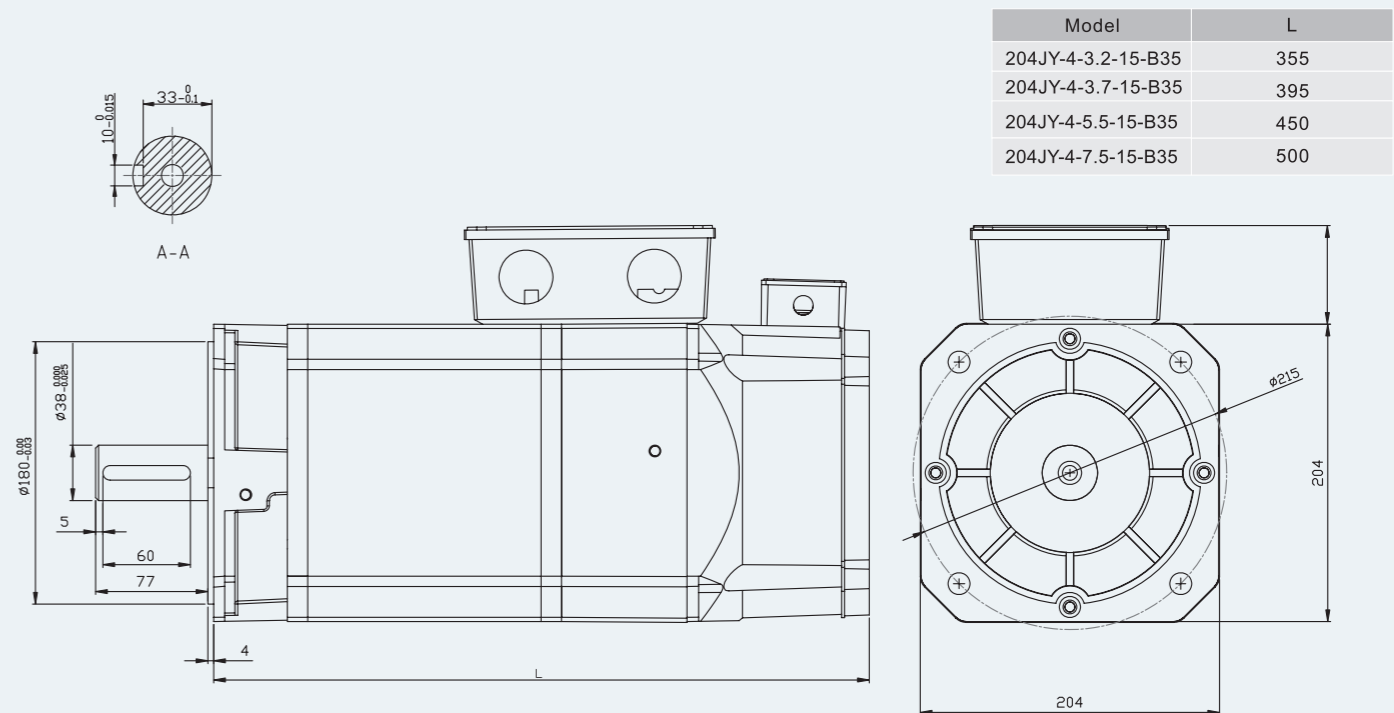
Specifications

Motor Model	204ZJY-4-2.2-15-X	204ZJY-4-3.7-15-X	204ZJY-4-5.5-15-X	204ZJY-4-7.5-15-X
Rated Power(Kw)	2.2	3.7	5.5	7.5
Rated Voltage (V)	380	380	380	380
Rated Current(A)	5.1	8	11.5	16
Rated Torque(N.m)	14	24	35	50
Rated frequency(Hz)	50	50	50	50
Rated Speed(rpm)	1450	1460	1460	1460
Max Speed(rpm)	6000	6000	6000	6000
Rotor Inertia(G. D2)	0.01	0.014	0.018	0.025
Fan power(w)	75	75	75	75
Fan voltage(v)	380	380	380	380
Vertical weight (Kg)	33	43	57	66.5
Horizontal weight (Kg)	35.6	46	61	71.5

Installation size chart unit=mm



Flange installation Dimension unit=mm



Encoder wiring table

Serial Number	1	2	3	4	5	6	7	8	9	10
Signal	Shield	Z+	B+	A+	+5V		Z-	B-	A-	0

Note: T is motor heat protection switch