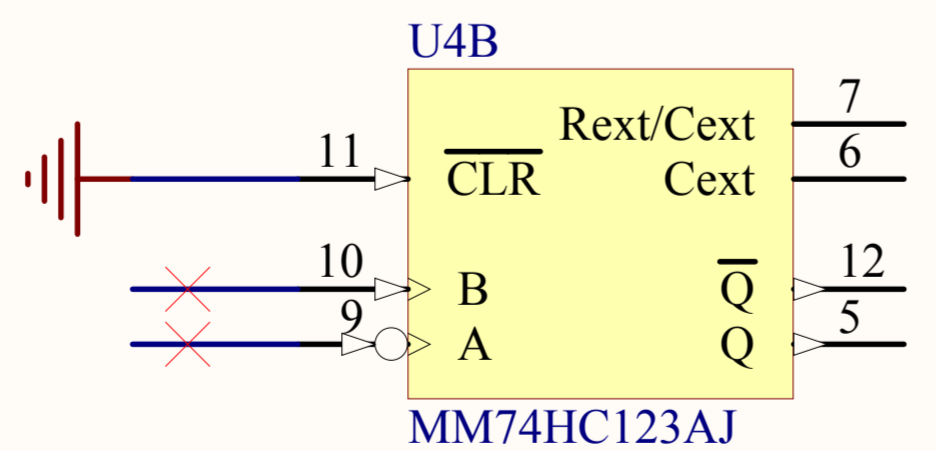
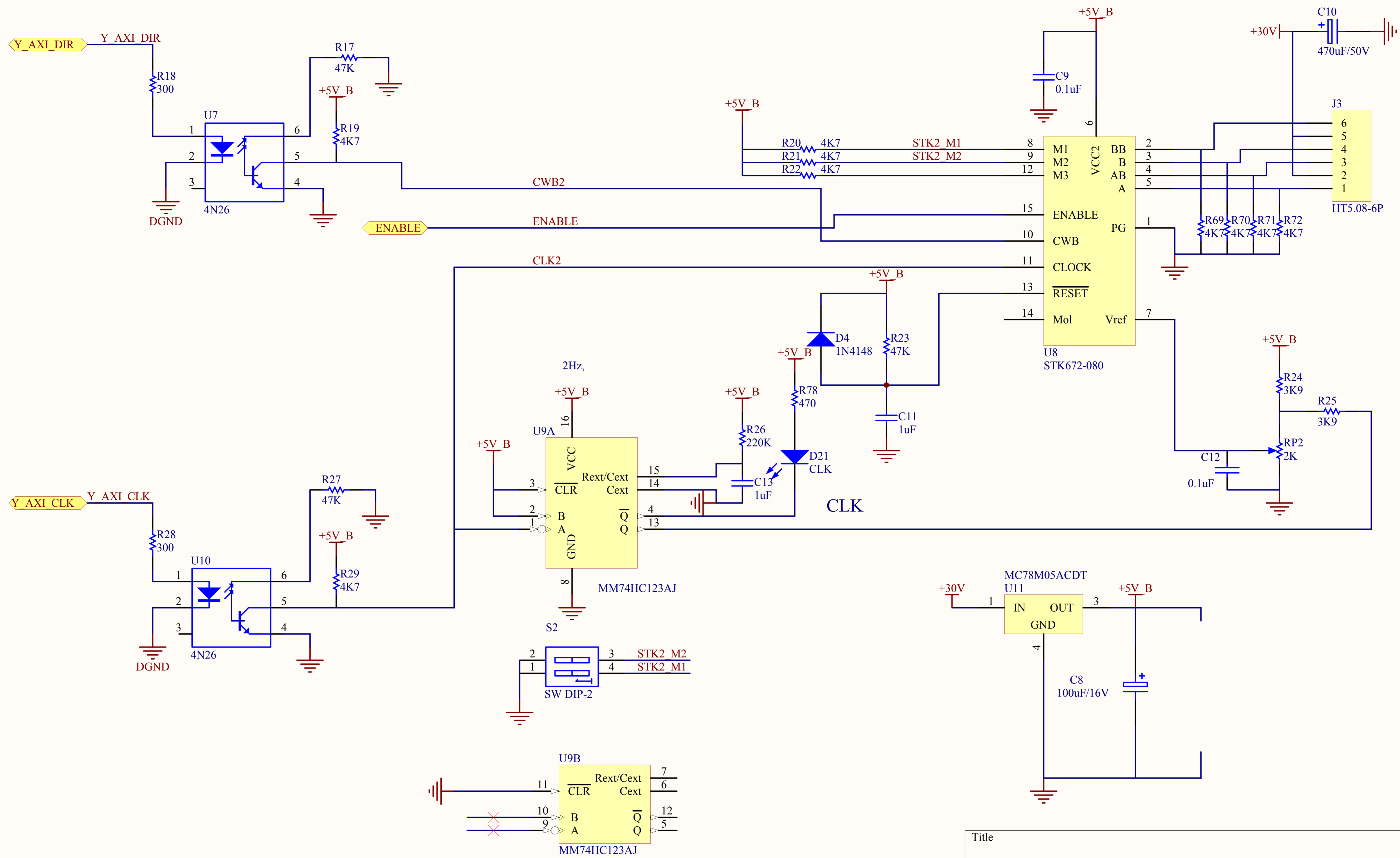


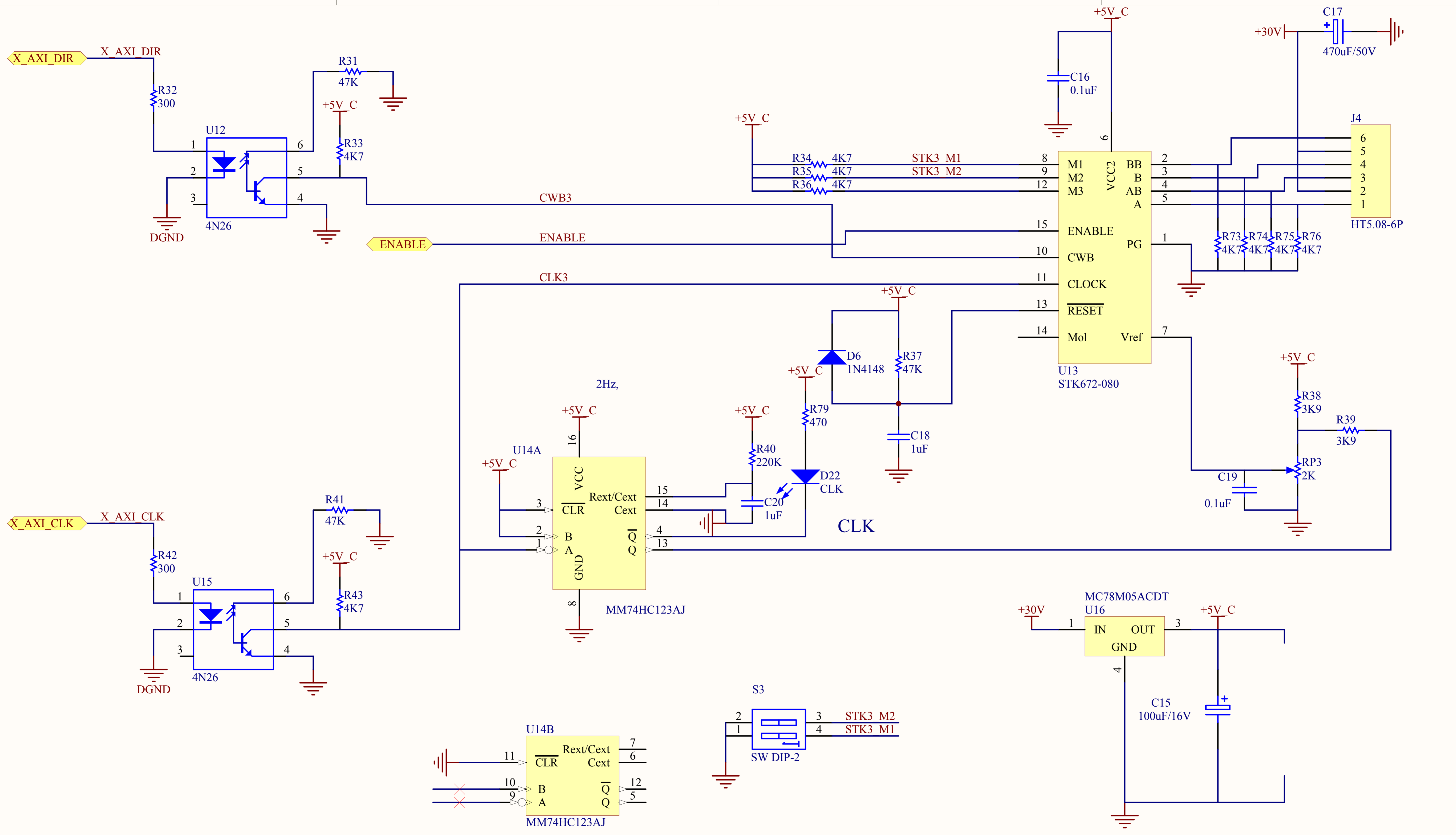
SW1	SW2	
ON	ON	1
OFF	ON	1/2
ON	OFF	1/4
OFF	OFF	1/8



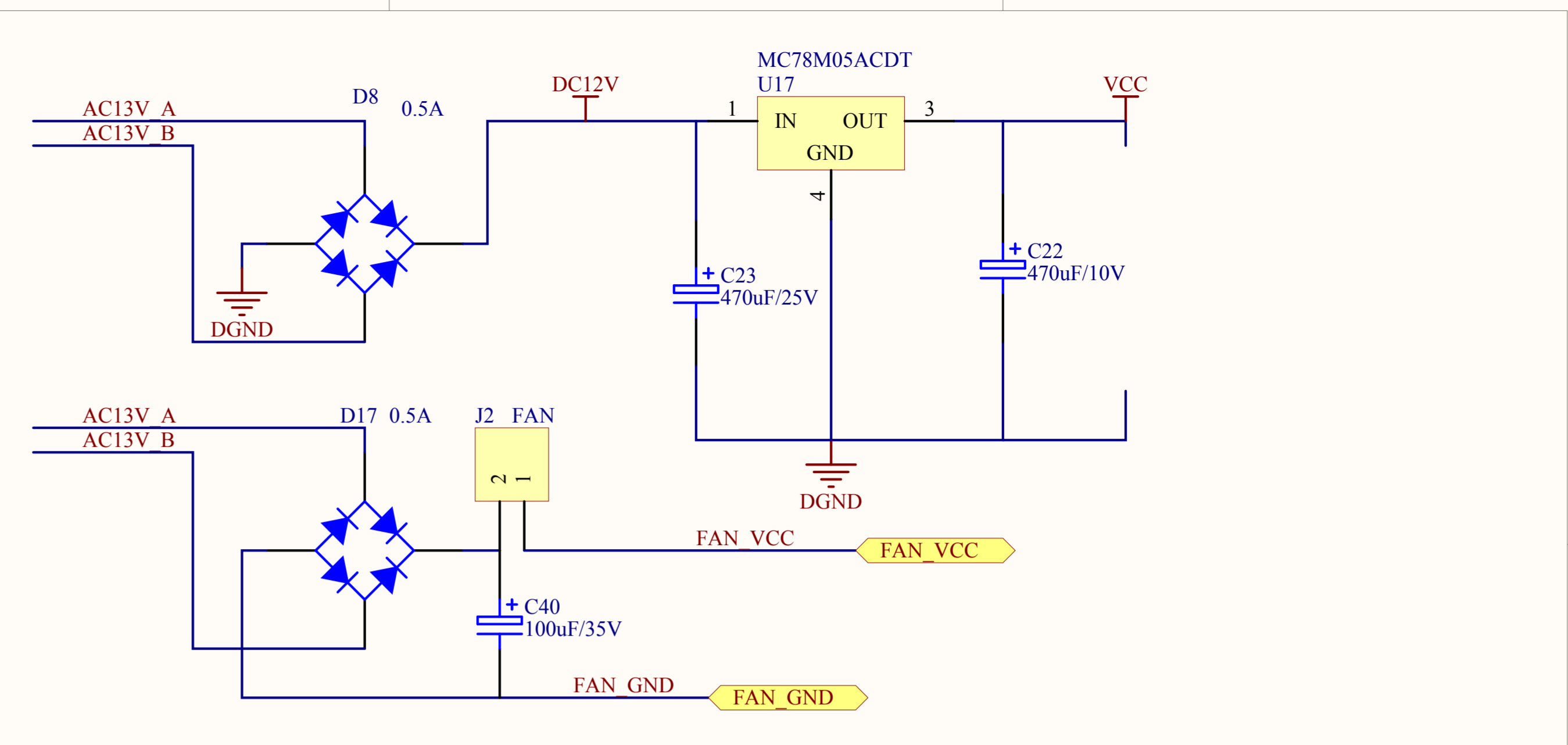
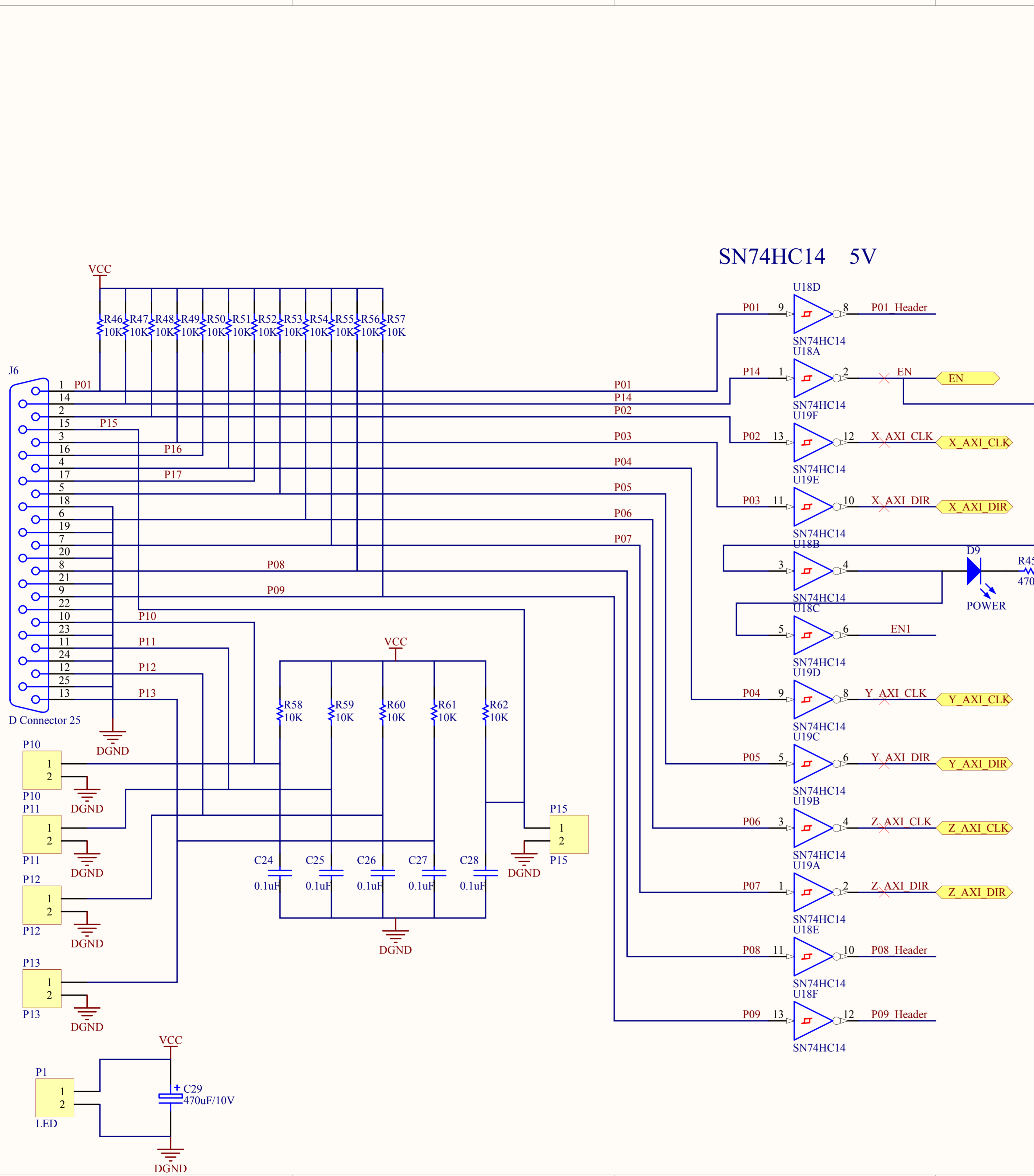
Title		
Size	Number	Revision
A4		
Date:	2012-10-26	Sheet of
File:	F:\	Drawn By:



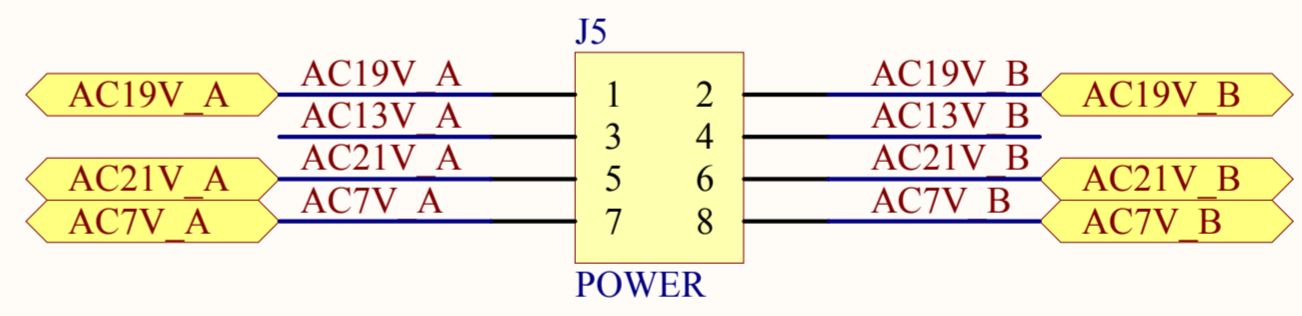
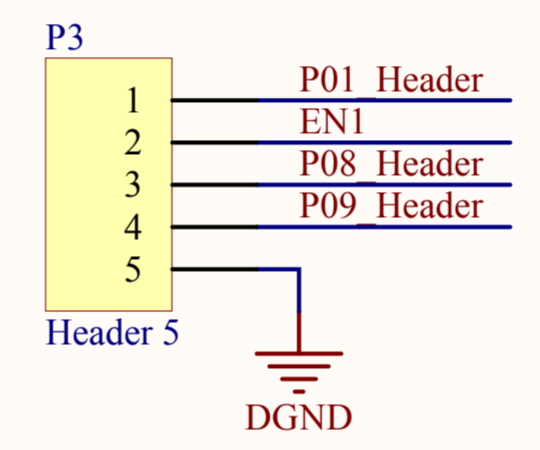
Title		
Size	Number	Revision
A4		
Date:	2012-10-26	Sheet of
File:	F:\...\SHEET2_STK672.SchDoc	Drawn By:



Title		
Size	Number	Revision
A4		
Date:	2012-10-26	Sheet of
File:	F:\..\SHEET3_STK672.SchDoc	Drawn By:



P10	
P11	X
P12	Y
P13	Z
VCC	(4 5050) 200mA
	(8 5050) 330mA

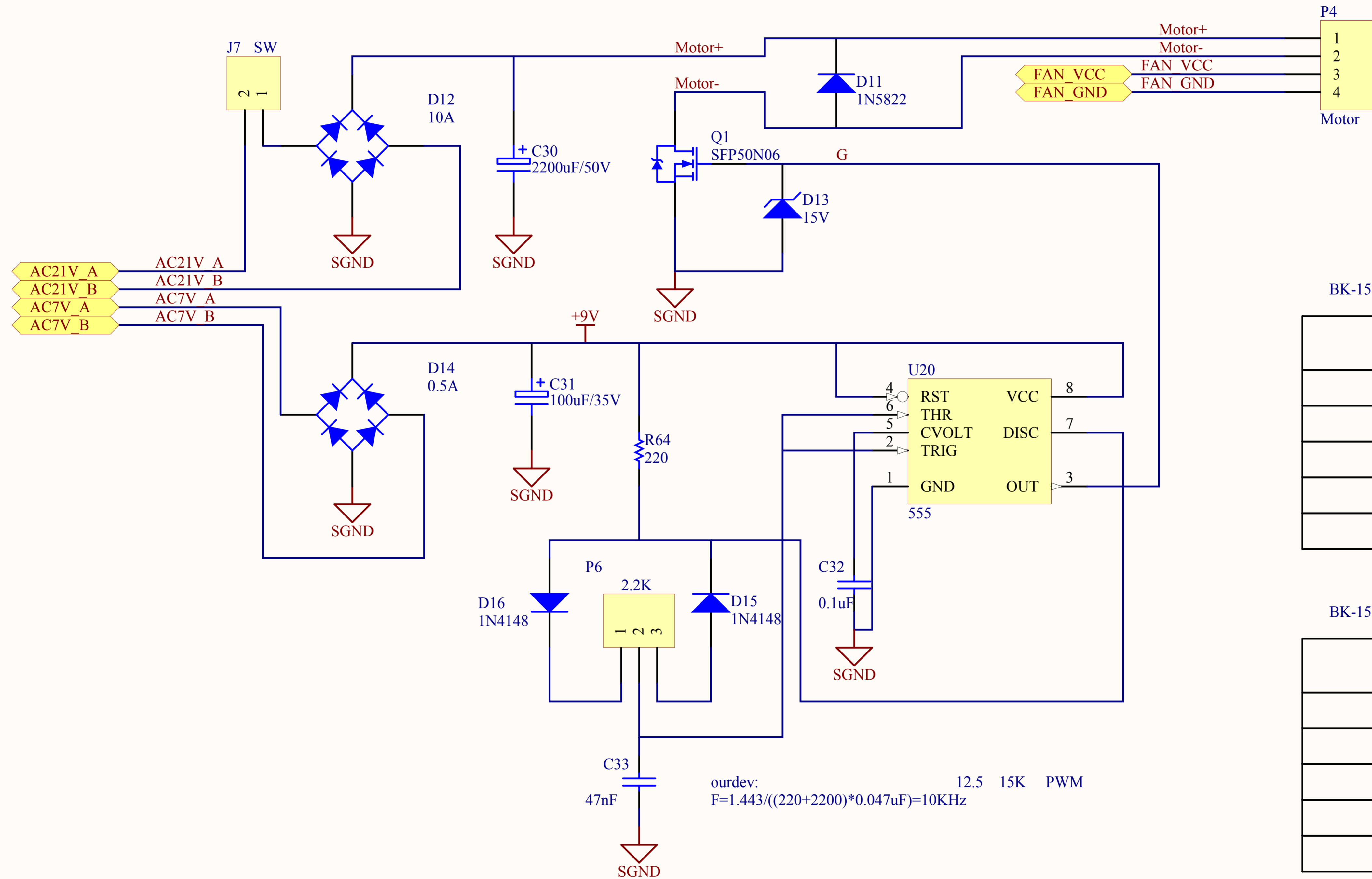


Title		
Size	Number	Revision
B		
Date:	2012-10-26	Sheet of
File:	F:\...SHEET5_CONN.SchDoc	Drawn By:

SFP50N06 1N5822 DC24V 60W10000RPM
 IRFP250FR307 E240 (C30 100uF/200V AC90V 0.7A)

AC21V AC7V

DC24V 60W 10000RPM

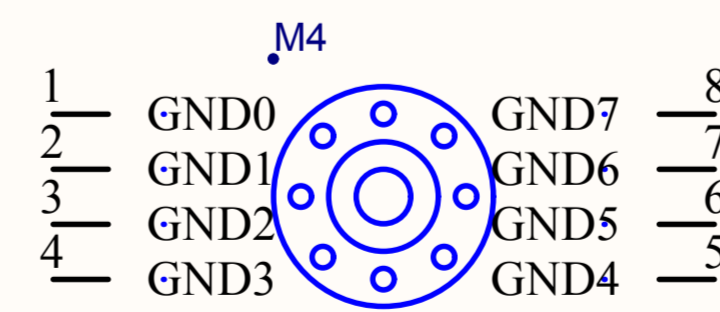
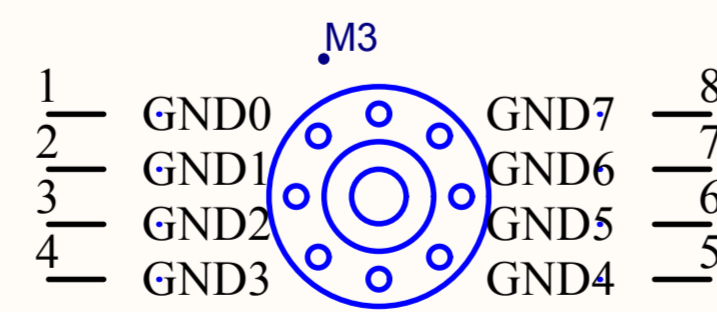
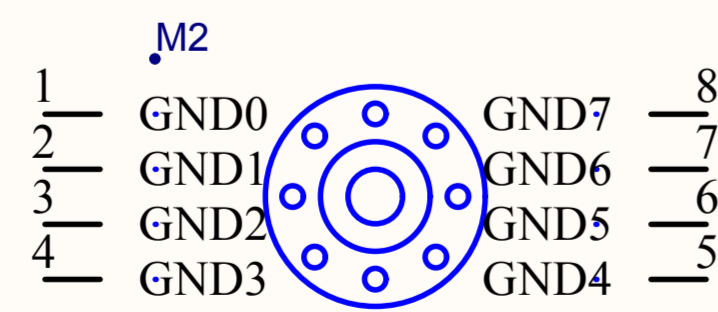
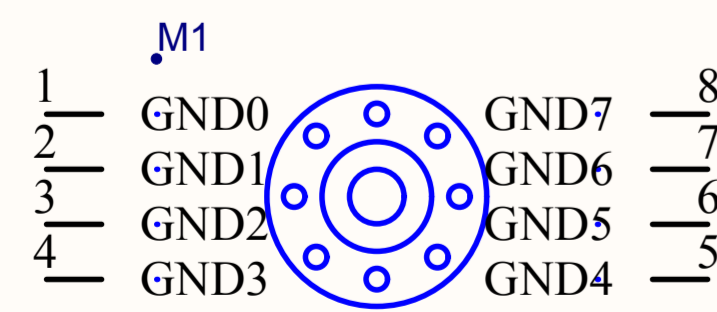


BK-150

	220V 150W
	AC19V 3A
	AC21V 3A
	AC7V 0.7A
	AC13V 0.7A

BK-150

	220V 150W
	AC19V 3A
	AC90V 0.7A
	AC7V 0.7A
	AC13V 0.7A



ourdev: 12.5 15K PWM
 $F = 1.443 / ((220 + 2200) * 0.047 \mu F) = 10 \text{KHz}$

Title		
Size	Number	Revision
A4		
Date:	2012-10-26	Sheet of
File:	F:\...\SHEET6_PWM.SchDoc	Drawn By: