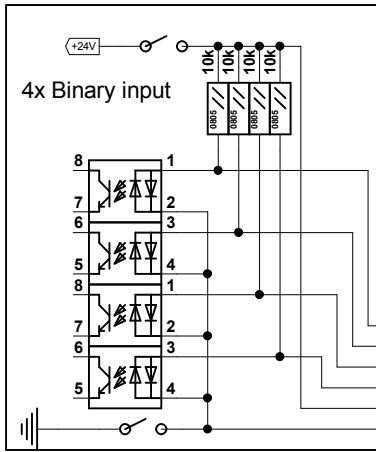
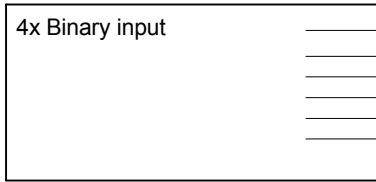
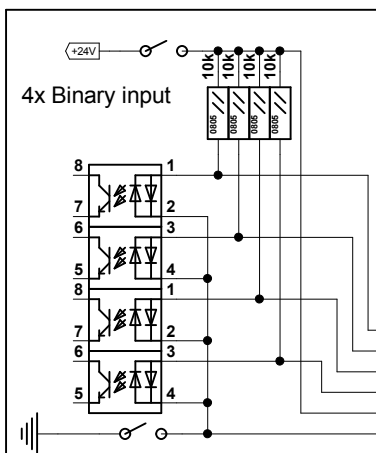
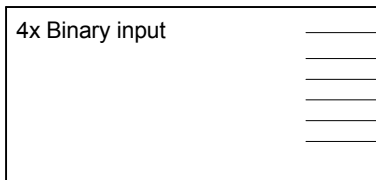


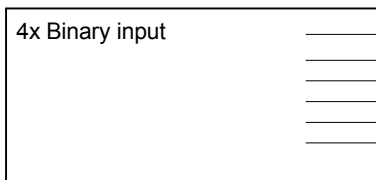
Jumpers are closed,
internal 24V is used to supply opto-couple leds.



Jumpers are open,
external 24V is used to supply opto-couple leds.



Jumpers are open,
external 24V is used to supply opto-couple leds.



EXT_+24V

EXT_-24V

EXT_-24V

EXT_+24V