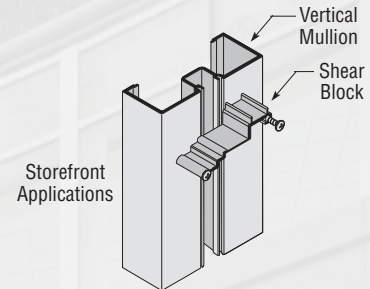


ACCUFAB PRO TOOL

CRL Accufab Pro Curtain Wall and Storefront Tools



- Accufab Pro Reduces Labor Time and Costs by 50% or More!
- Designed to Accurately and Quickly Locate Shear Block Connectors on U.S. Aluminum Curtain Wall or Storefront Verticals
- Three Sizes: 16', 24', and 32' (4.9, 7.3, and 9.8 m)
- Pneumatic Clamping System (Requires 75 PSI)
- U.S. Patent No. 8,176,610 B1

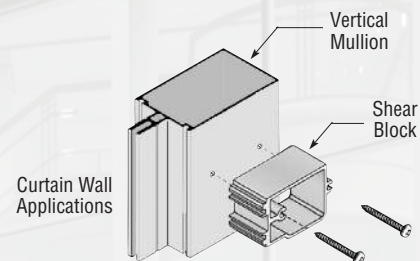


ACCUFAB PRO STOREFRONT TOOL

CAT. NO.	DESCRIPTION
ACU16	16' (4.9 m) Accufab Pro Storefront Tool
ACUDVD	Accufab Pro Instructional DVD

Minimum order: 1 each.

NOTE: Must specify U.S. Aluminum Curtain Wall, Storefront, or Window Wall Series used at time order is placed.



ACCUFAB PRO CURTAIN WALL TOOL

CAT. NO.	DESCRIPTION
ACU24	24' (7.3 m) Accufab Pro Curtain Wall Tool
ACU32	32' (9.8 m) Accufab Pro Curtain Wall Tool
ACUDVD	Accufab Pro Instructional DVD

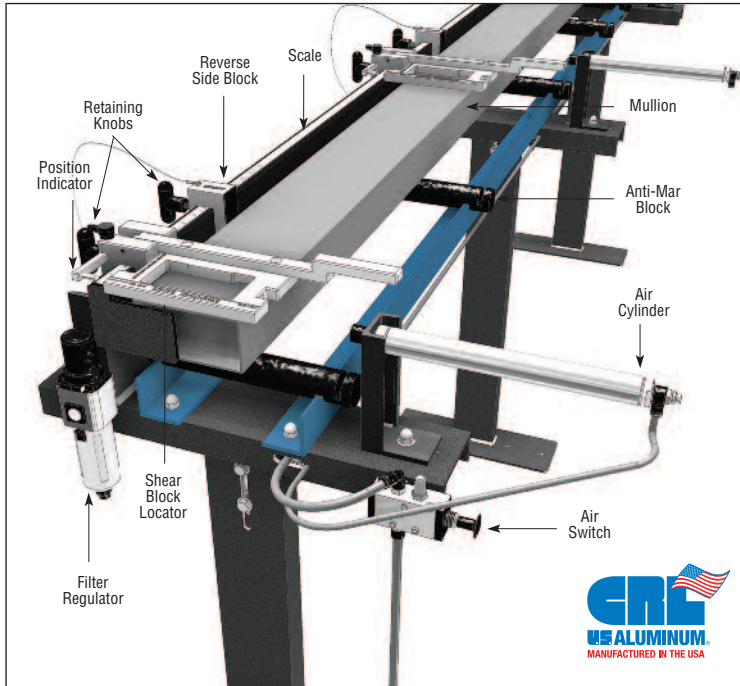
Minimum order: 1 each.

NOTE: Must specify U.S. Aluminum Curtain Wall, Storefront, or Window Wall Series used at time order is placed.

CRL Accufab Pro Curtain Wall and Storefront Tools are designed to accurately and quickly locate Shear Block Connectors on the vertical members of U.S. Aluminum Curtain Wall, Storefront, and Window Wall Systems. Fabrication time on installing horizontal Shear Blocks to vertical mullions is cut by 50 percent or more. In your shop or on the job site, the new Accufab Pro Tool will eliminate misdrilled fasteners, out-of-level horizontal members, and costly measurement mistakes. The Storefront Tool is supplied with five ACUFSTOP Flipstops. The Shear Block Locators must be ordered separately. The Curtain Wall Tools are supplied with seven Flipstops Shear Block Locators for working with our Curtain Wall Verticals and Shear Blocks must be ordered separately. Additional Shear Block Locators to handle a variety of stock extrusion and Shear Block sizes can be easily changed out. The calibrated rear sliding bar allows quick setup and accurate repeatability. Setup and user instructions are included with every CRL Accufab Pro Tool. **NOTE:** Self-drilling screws must be used to fasten Shear Blocks to mullions when working with the Accufab Pro Tool. See usalum.com for specific self-drilling screws to use for each Shear Block.

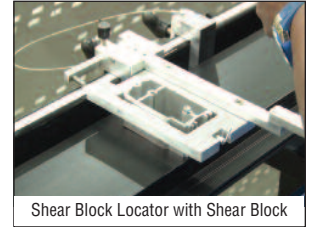
For more information on CRL Accufab Pro Curtain Wall and Storefront Tools, contact us toll free at (800) 262-5151 from anywhere in the United States and Canada. You can also contact us through our web site at usalum.com.

CRL Accufab Pro Curtain Wall and Storefront Tools



Accufab Pro Curtain Wall and Storefront Tool

Shear Block Locators for different sizes of Shear Blocks must be ordered separately. Locators are engineered to precisely position the Shear Blocks on the vertical members, and the use of improper locators may result in the incorrect positioning of the Shear Block, leaving your horizontal members with a less than desirable joining to the vertical members. For assistance in ordering Shear Block Locators, please consult with U.S. Aluminum Technical Sales or visit us online at usalum.com.



SHEAR BLOCK LOCATORS (MUST ORDER WITH TOOL)

CAT. NO.	FITS SHEAR BLOCK	FOR USE WITH USAL SYSTEM
AP403SBL	AP403	400/450 Storefront Horizontal/Sill Anchor
AP202SBL	AP202	2100/2200 with 2-7/8" (73 mm) Back Member
AP204SBL	AP204	2100/2200 with 4" (102 mm) Back Member
AP205SBL	AP205	2100/2200 with 5" (127 mm) Back Member
AP954SBL	AP954	3150/3250 with 4" (102 mm) Back Member
AP955SBL	AP955	3150/3250 with 5" (127 mm) Back Member
AP928SBL	AP928	3150/3250 with 8" (203 mm) Back Member

Minimum order: 1 each.

Five Easy Steps To Precisely Install Shear Blocks

VIDEO



Watch the Accufab Pro Tool in Action!
View the Video at usalum.com



1. With the pneumatic clamping system on, set the Shear Block Locators to their proper locations and begin fastening Shear Blocks to one side of the Vertical Mullion using self-drilling screws. Proceed along the Vertical Mullion until all Shear Blocks are installed.



2. Release the pneumatic clamping system and lift up the Shear Block Locators.



3. Turn the Vertical Mullion on its opposite side.



4. Engage the pneumatic clamping system and pull down the Shear Block Locators to begin installing Shear Blocks on the reverse side.



5. Your Curtain Wall or Storefront Vertical Mullion is now fabricated and ready to receive the Horizontal Members.

NOT TO SCALE

AVDB4137 12/15