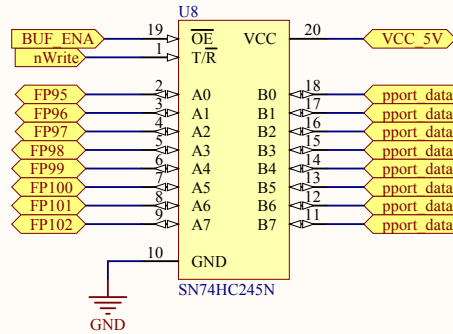
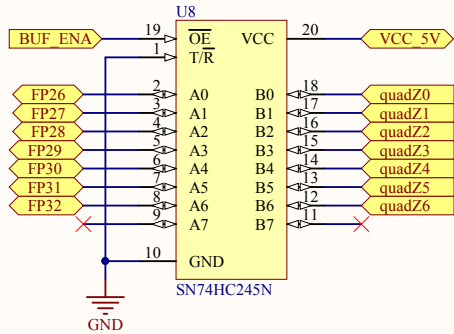
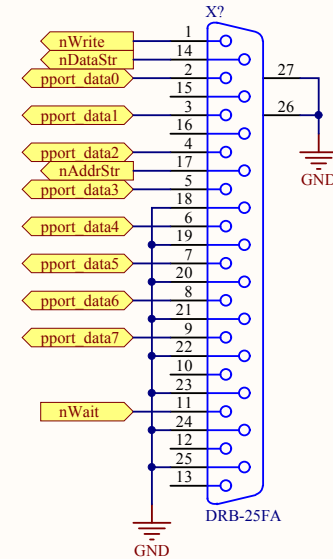
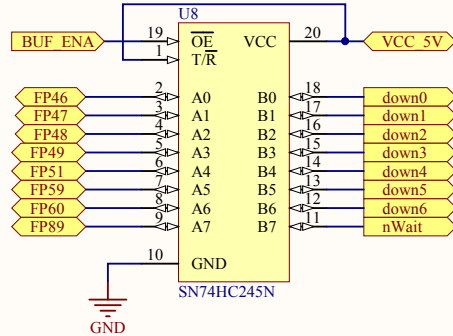
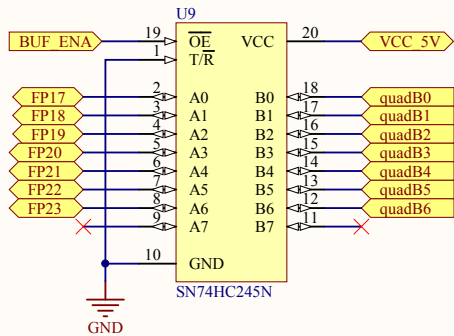
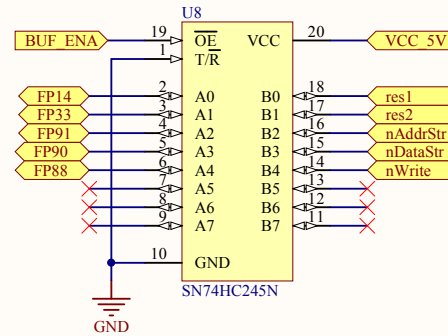
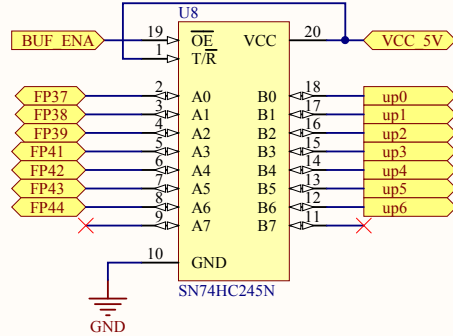
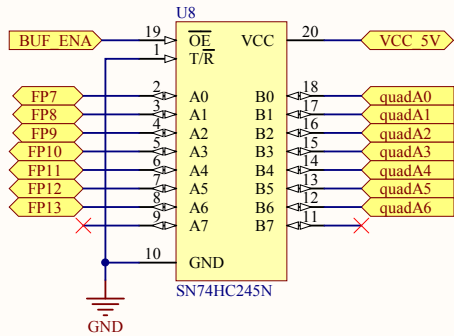
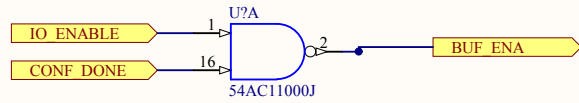
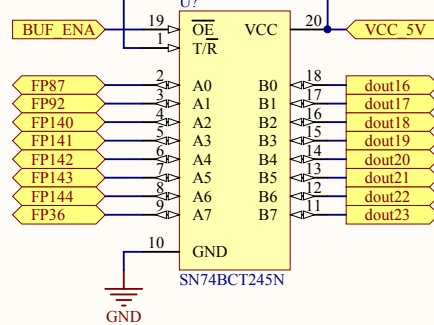
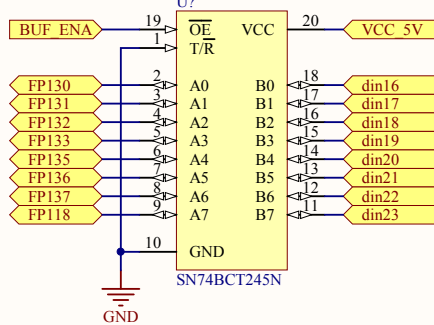
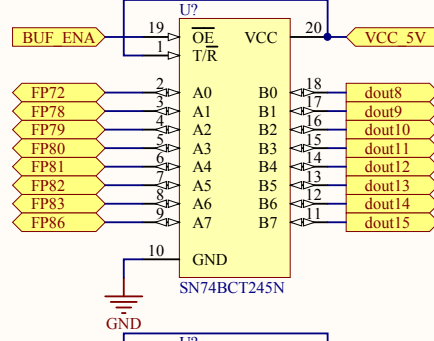
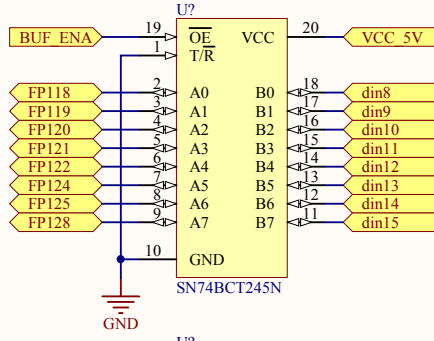
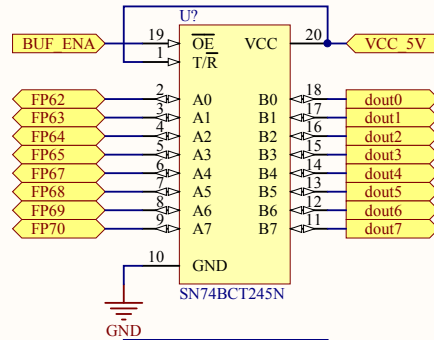
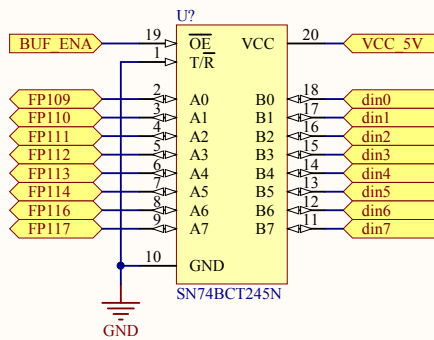


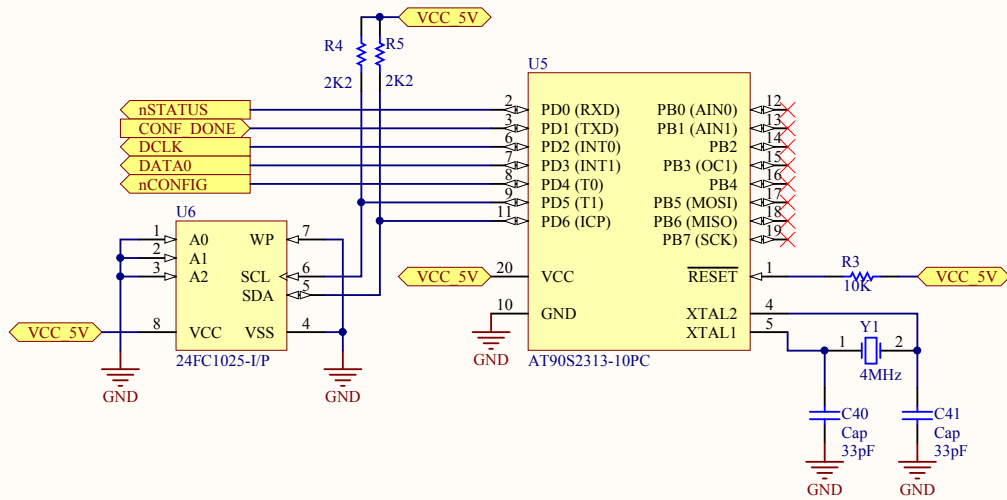
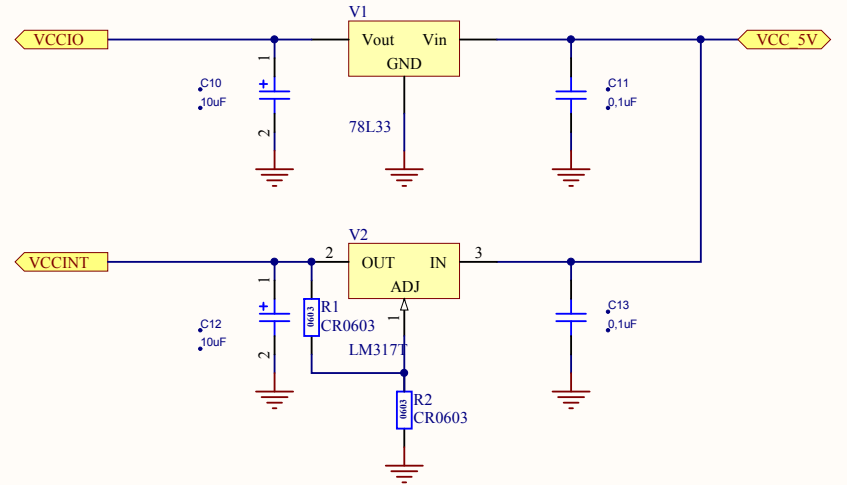
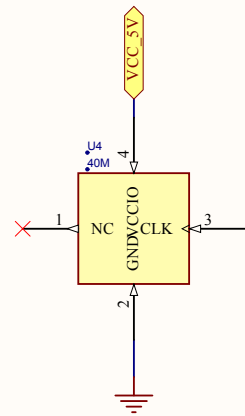
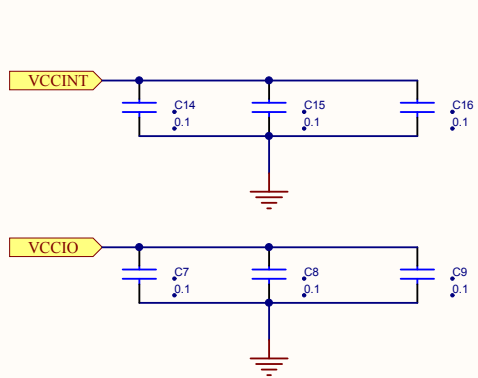
Title		
Size	Number	Revision
A4		
Date:	17.09.2010	Sheet of
File:	D:\Po6ora\Dimon\new_project\FPGA.Sch	Drawn By:



Title		
Size	Number	Revision
A4		
Date:	17.09.2010	Sheet of
File:	D:\Po6ora\Dimon\new project\IO.SchDoc	Drawn By:



Title		
Size	Number	Revision
A4		
Date:	17.09.2010	Sheet of
File:	D:\Po6ora\Dimon\new project\IO2.SchDp	



Title		
Size	Number	Revision
A4		
Date:	17.09.2010	Sheet of
File:	D:\Po6ora\...\OTHER.SchDoc	Drawn By:

# Bill of Materials

<Parameter Title not found>

Source Data From: PCB\_Project1.PrjPCB  
 Project: PCB\_Project1.PrjPCB  
 Variant: None

Creation Date: 17.09.2010 17:14:05  
 Print Date: 40438 40438,7182

Footprint	Comment	LibRef	Designator	Description	Quantity
	0.1	CAP NP	C7, C8, C9, C14, C15, C16		6
SM/C_1210	10uF	C+ _1	C10, C12		2
SM/C_1210	0,1uF	C_0	C11, C13		2
RAD-0.3	Cap	Cap	C40, C41	Capacitor	2
CR0603	CR0603	CR0603	R1, R2	Chip Resistor, 1 Ohm to 30M Ohm .1% at 5% , 0603 Size, 0.1 W, 50V, MAX 100V	2
AXIAL-0.3	Res1	Res1	R3, R4, R5	Resistor	3
TQFP144_N	EP1K30TC144	EP1K30TC144	U1	ACEX 1K PLD with 102 I/O Pins, 144-pin TQFP, Commercial Grade, Speed Grade	1
	40M	TFF2_0	U4		1
20P3	AT90S2313-10PC	AT90S2313-10PC	U5	8-Bit AVR Microcontroller with 2K Bytes of System Programmable Flash Memory	1
PDIP300-P8	24FC1025-I/P	24FC1025-I/P	U6	1 Mbit, 1MHz, 2.5V, I2C Serial EEPROM, Pin PDIP, Industrial Temperature	1
N020	SN74HC245N	SN74HC245N	U8, U9	Octal Bus Transceiver with 3-State Outputs	2
J016D	54AC11000J	54AC11000J	U?	Quadruple 2-Input Positive-NAND Gate	1
N020	SN74BCT245N	SN74BCT245N	U?	Octal Bus Transceiver with 3-State Outputs	6
TO254P15103_4N	78L33	Volt Reg	V1	Voltage Regulator	1
221A-04	LM317T	LM317T	V2	3-Terminal Adjustable Positive Voltage Regulator	1
DRB-25FA	DRB-25FA	DRB-25FA	X?	Гніздо на25 контактів серії D-SUB	1
BCY-W2/D3	4MHz	XTAL	Y1	Crystal Oscillator	1

34

Approved	Notes