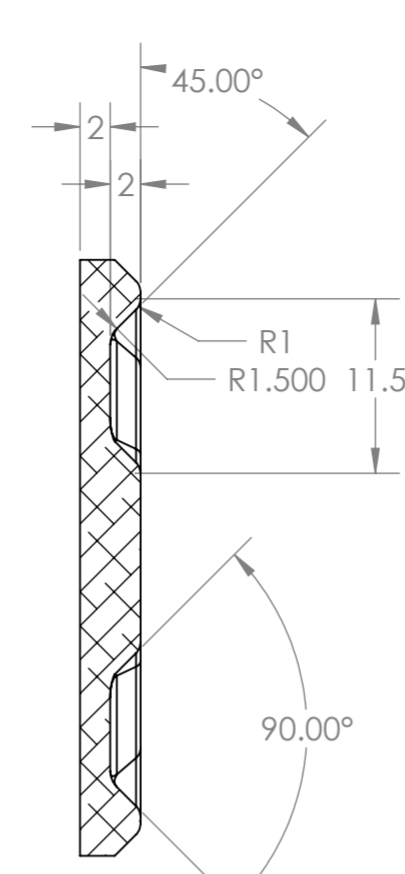
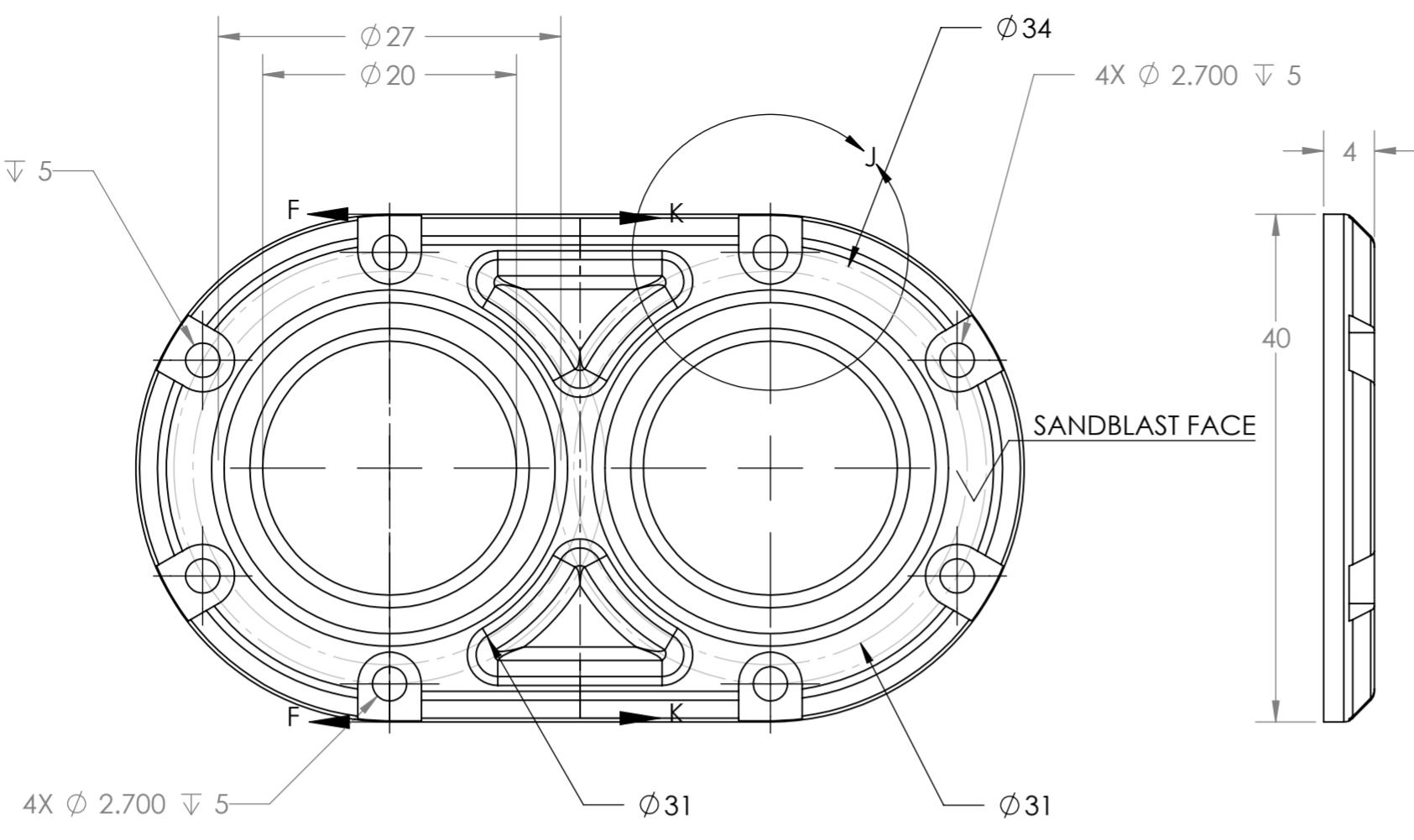
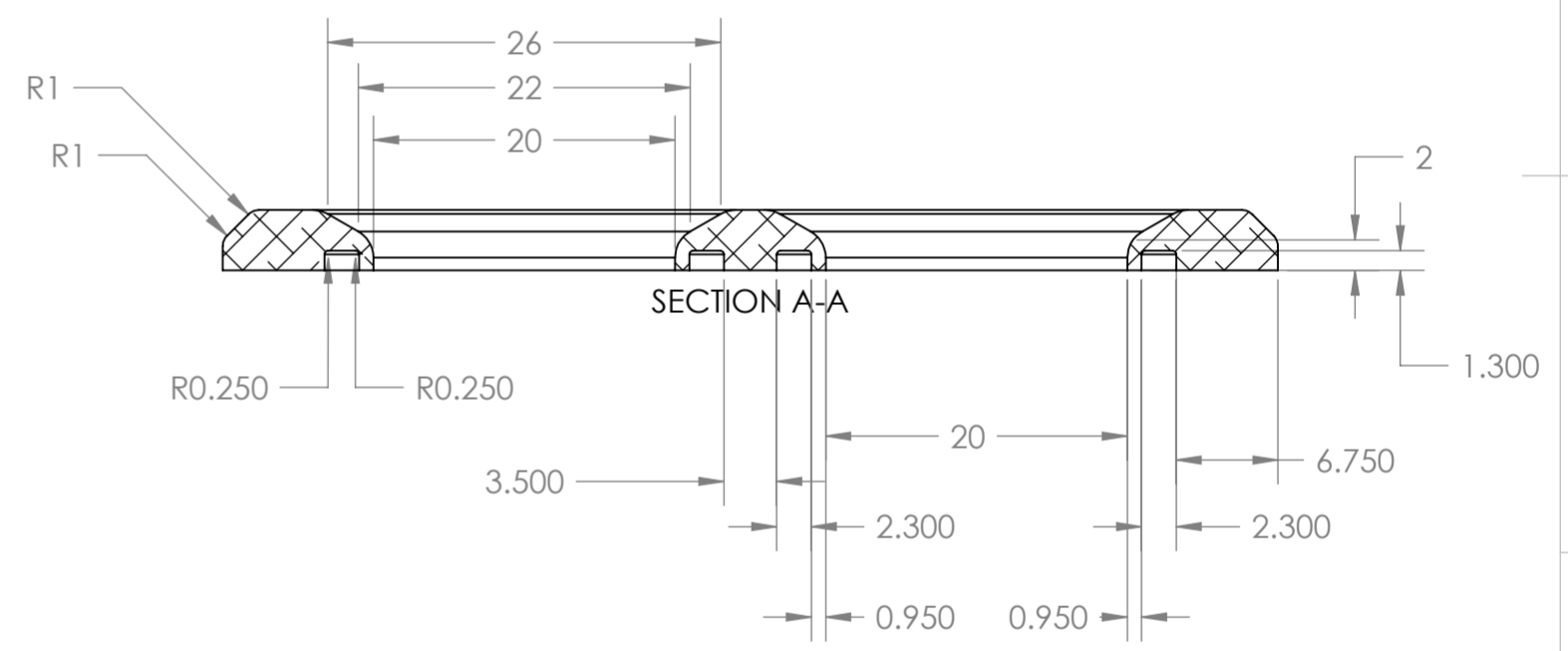
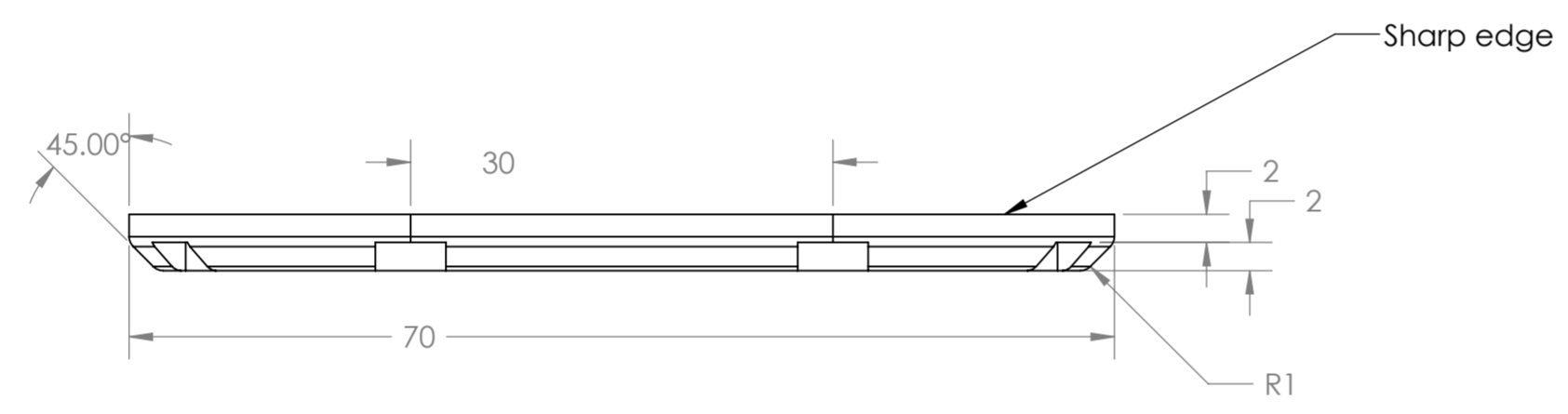
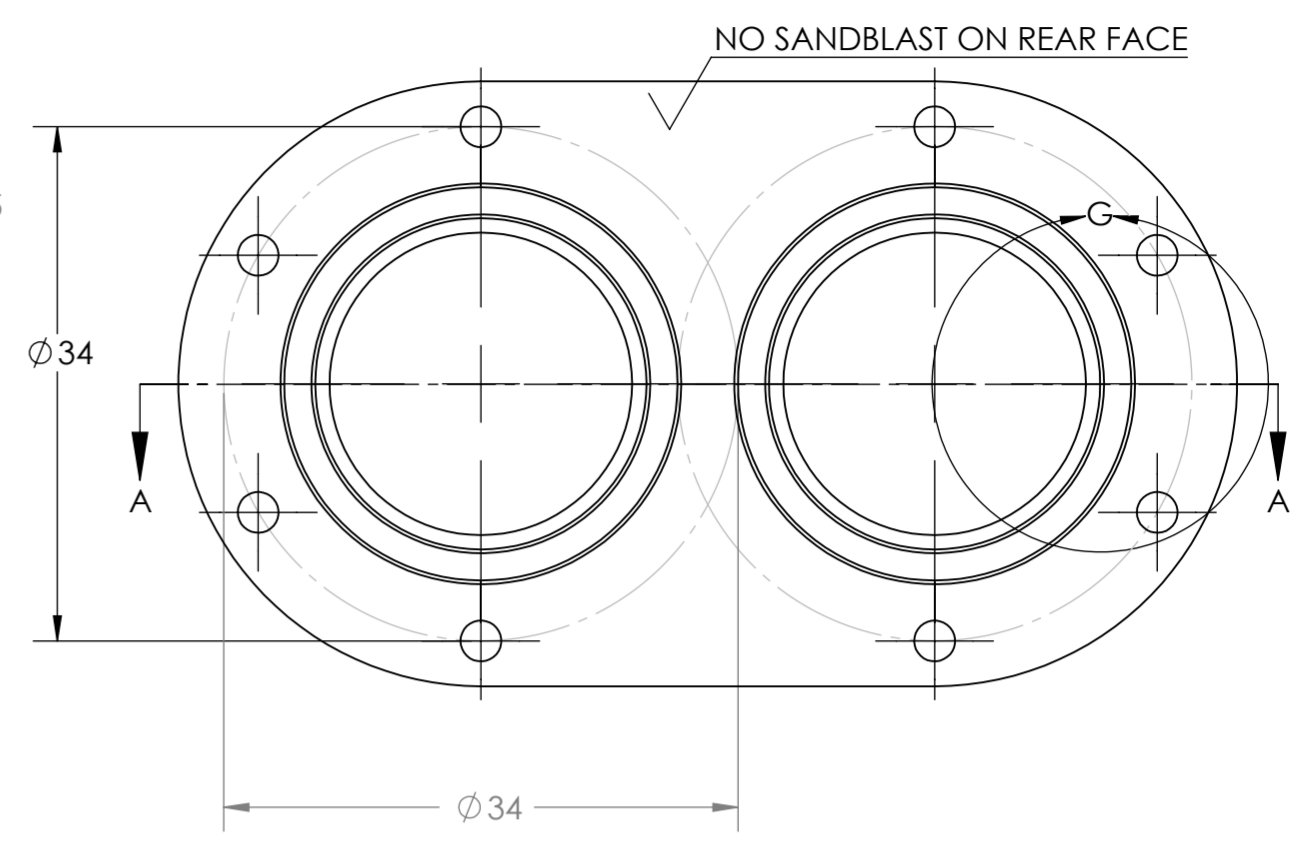


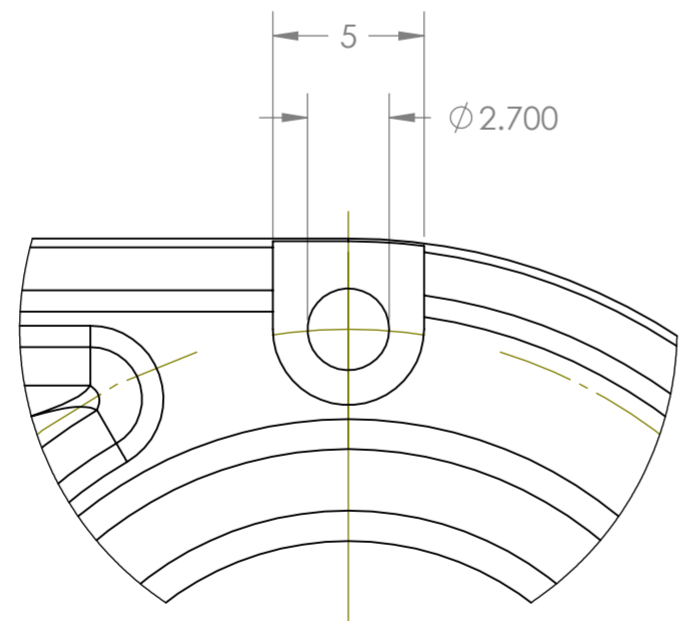
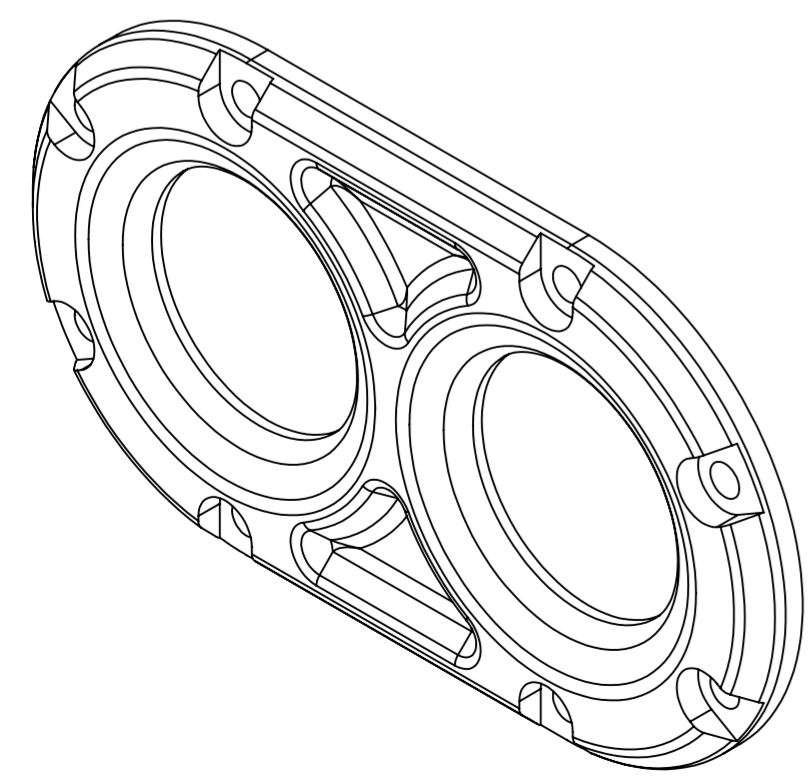
SECTION F-F



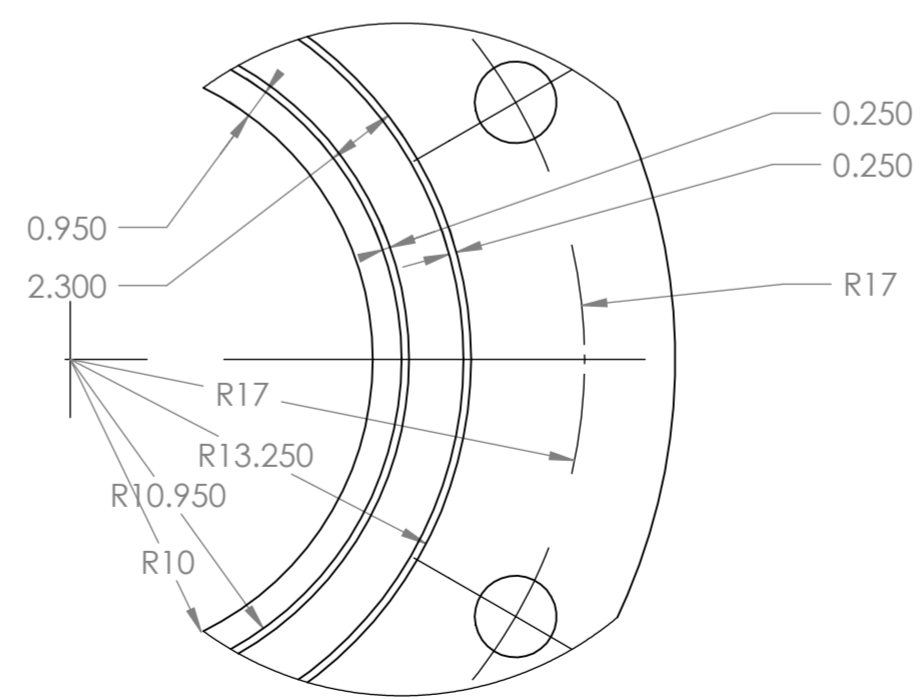
SECTION K-K



SECTION A-A



DETAIL J
SCALE 4 : 1



DETAIL G
SCALE 4 : 1

| | | | | | |
|--|--|--|--|----------------------|------------|
| UNLESS OTHERWISE SPECIFIED: DIMENSIONS ARE IN MILLIMETERS SURFACE FINISH: Machined TOLERANCES: +0.02mm LINEAR: ANGULAR: | | FINISH: Sandblast 120# Grit then Black Anodize | DEBUR AND BREAK SHARP EDGES | DO NOT SCALE DRAWING | REVISION E |
| DRAWN: MM | | | PROPERTY OF MATTHEW MALONE | | |
| CHK'D: | | | TITLE: Matthew Malone 25th, September, 2010 | | |
| APP'VD: | | | DWG NO. front | | |
| MFG: | | | A2 | | |
| Q.A: | | | SCALE:2:1 | | |
| MATERIAL: Aluminium 6061 | | | SHEET 1 OF 1 | | |
| WEIGHT: | | | | | |