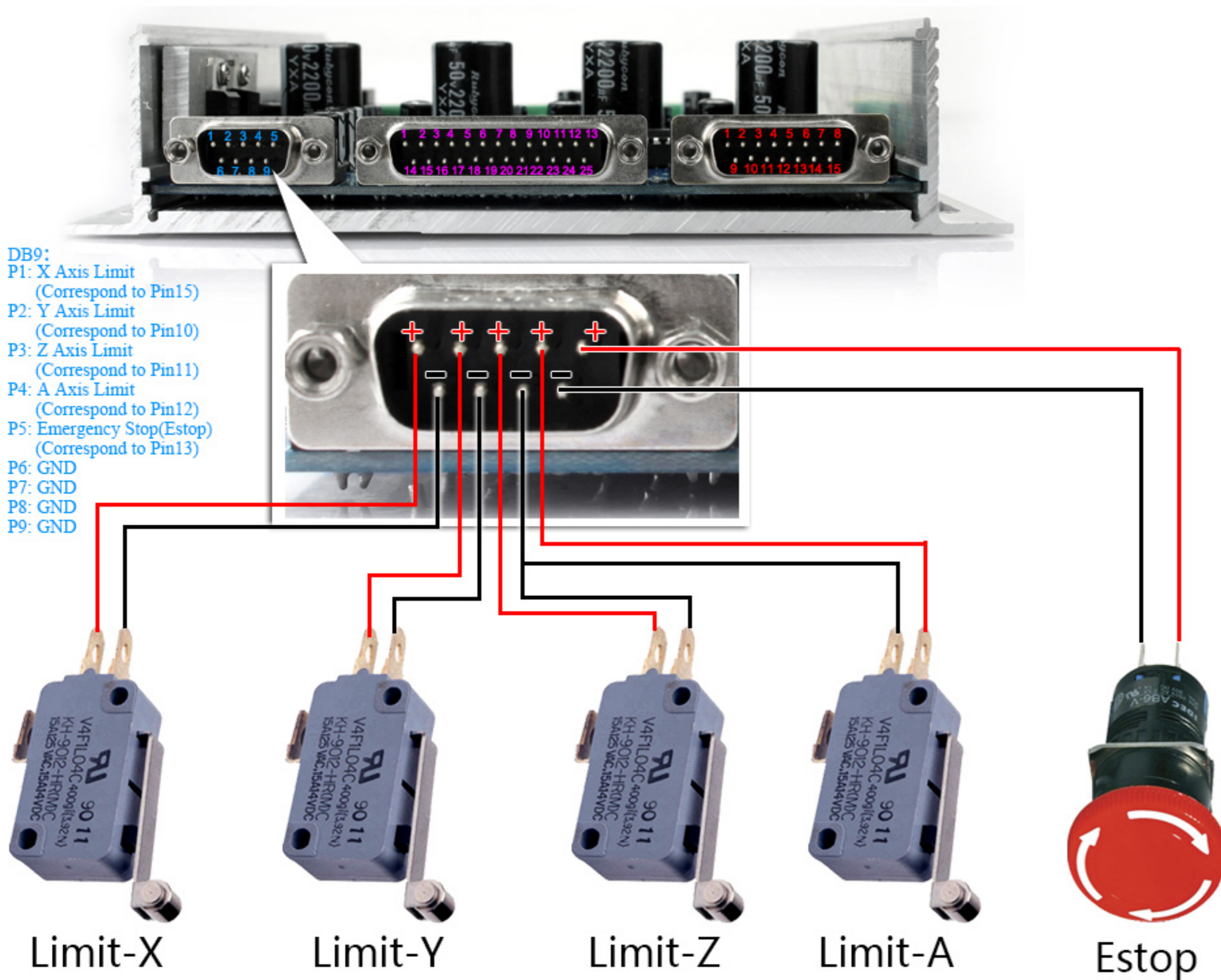


STEP 1



STEP 2

Limit/Estop Switch Setting In Mach3

Engine Configuration... Ports & Pins

Encoder/MFG's		Spindle Setup		Mill Options		
Port Setup and Axis Selection		Motor Outputs		Input Signals		Output Signals
Signal	Enabled	Port #	Pin Number	Active Low	Emulated	HotKey
X ++	<input checked="" type="checkbox"/>	1	15	<input checked="" type="checkbox"/>	<input checked="" type="checkbox"/>	0
X --	<input checked="" type="checkbox"/>	1	15	<input checked="" type="checkbox"/>	<input checked="" type="checkbox"/>	0
X Home	<input checked="" type="checkbox"/>	1	15	<input checked="" type="checkbox"/>	<input checked="" type="checkbox"/>	0
Y ++	<input checked="" type="checkbox"/>	1	10	<input checked="" type="checkbox"/>	<input checked="" type="checkbox"/>	0
Y --	<input checked="" type="checkbox"/>	1	10	<input checked="" type="checkbox"/>	<input checked="" type="checkbox"/>	0
Y Home	<input checked="" type="checkbox"/>	1	10	<input checked="" type="checkbox"/>	<input checked="" type="checkbox"/>	0
Z ++	<input checked="" type="checkbox"/>	1	11	<input checked="" type="checkbox"/>	<input checked="" type="checkbox"/>	0
Z --	<input checked="" type="checkbox"/>	1	11	<input checked="" type="checkbox"/>	<input checked="" type="checkbox"/>	0
Z Home	<input checked="" type="checkbox"/>	1	11	<input checked="" type="checkbox"/>	<input checked="" type="checkbox"/>	0
A ++	<input checked="" type="checkbox"/>	1	12	<input checked="" type="checkbox"/>	<input checked="" type="checkbox"/>	0
A --	<input checked="" type="checkbox"/>	1	12	<input checked="" type="checkbox"/>	<input checked="" type="checkbox"/>	0
A Home	<input checked="" type="checkbox"/>	1	12	<input checked="" type="checkbox"/>	<input checked="" type="checkbox"/>	0
B ++	<input checked="" type="checkbox"/>	1	0	<input checked="" type="checkbox"/>	<input checked="" type="checkbox"/>	0
B --	<input checked="" type="checkbox"/>	1	0	<input checked="" type="checkbox"/>	<input checked="" type="checkbox"/>	0
B Home	<input checked="" type="checkbox"/>	1	0	<input checked="" type="checkbox"/>	<input checked="" type="checkbox"/>	0
C ++	<input checked="" type="checkbox"/>	1	0	<input checked="" type="checkbox"/>	<input checked="" type="checkbox"/>	0
C --	<input checked="" type="checkbox"/>	1	0	<input checked="" type="checkbox"/>	<input checked="" type="checkbox"/>	0
C Home	<input checked="" type="checkbox"/>	1	0	<input checked="" type="checkbox"/>	<input checked="" type="checkbox"/>	0
Input #1	<input checked="" type="checkbox"/>	1	0	<input checked="" type="checkbox"/>	<input checked="" type="checkbox"/>	0
Input #2	<input checked="" type="checkbox"/>	1	0	<input checked="" type="checkbox"/>	<input checked="" type="checkbox"/>	0
Input #3	<input checked="" type="checkbox"/>	1	0	<input checked="" type="checkbox"/>	<input checked="" type="checkbox"/>	0
Input #4	<input checked="" type="checkbox"/>	1	0	<input checked="" type="checkbox"/>	<input checked="" type="checkbox"/>	0
Probe	<input checked="" type="checkbox"/>	1	0	<input checked="" type="checkbox"/>	<input checked="" type="checkbox"/>	0
Index	<input checked="" type="checkbox"/>	1	0	<input checked="" type="checkbox"/>	<input checked="" type="checkbox"/>	0
Limit Ovr	<input checked="" type="checkbox"/>	1	0	<input checked="" type="checkbox"/>	<input checked="" type="checkbox"/>	0
Limit Ovr	<input checked="" type="checkbox"/>	1	0	<input checked="" type="checkbox"/>	<input checked="" type="checkbox"/>	0
EStop	<input checked="" type="checkbox"/>	1	13	<input checked="" type="checkbox"/>	<input checked="" type="checkbox"/>	0

Pins 10-13 and 15 are inputs. Only these 5 pin numbers may be

Automated Setup of Inputs

确定 取消 应用(A)