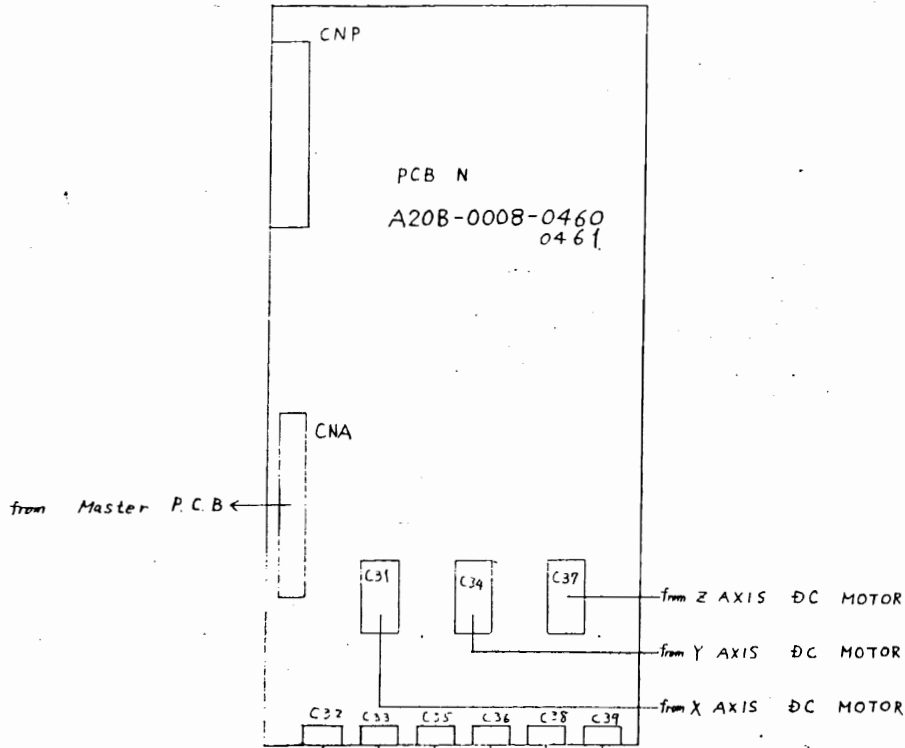


AWI-31946B 1-72



CNP

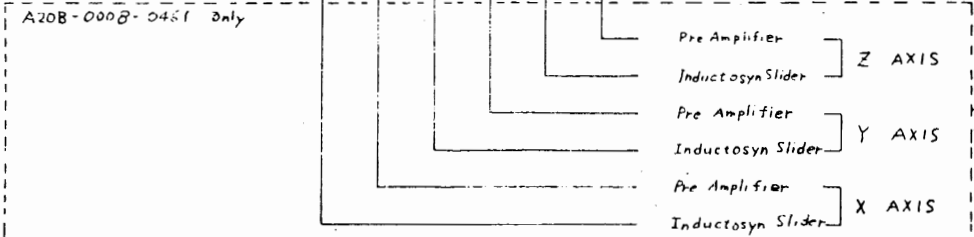
33	1
34	2
19	3
35	4
20	5
36	6
21	7
37	8
22	9
28	10
23	11
39	12
24	OV
40	8
25	OV
41	4
-15V	26
42	10
OV	27
43	11
+15V	28
44	12
45	29
30	13
46	14
31	15
47	16
32	17
48	18
49	19
50	20

CNA

	A	B
1	R1PX	OV
2	R1SNX	+5V
3	R1PY	+5V
4	R1SNY	+5V
5	R1FZ	+5V
6	R1SNZ	+5V
7	*DES1X	+5V
8	*DES1Y	OV
9	*DES1Z	OV
10	*S1N1X	*S1N2X
11	OV	*C6S1X
12	*C6S2X	OV
13	*S1N1Y	*S1N2Y
14	OV	*C6S1Y
15	*C6S2Y	OV
16	*S1N1Z	*S1N2Z
17	OV	*C6S1Z
18	*C6S2Z	OV
19	+15V	
20	-15V	OV
21	TSAXN	TSBXN
22	TSAYN	TSBYN
23	TSAZN	TSBZN
24	OHX	OHY
25	OHZ	

HONDA MR-SOMA

YAMAICHI SOP



C31 (X AXIS DC MOTOR)

14	8	1
DSAX	8	OH1X
15	+5V	2
DSBX	4	OH2X
16	+5V	3
DCAX	10	
17		4
DCBX	11	
18		5
RSBX	12	
19		6
RSAX	13	TSAX
20		7
SG		TSBX

HONDA MR-ZORMD

C34 (Y AXIS DC MOTOR)

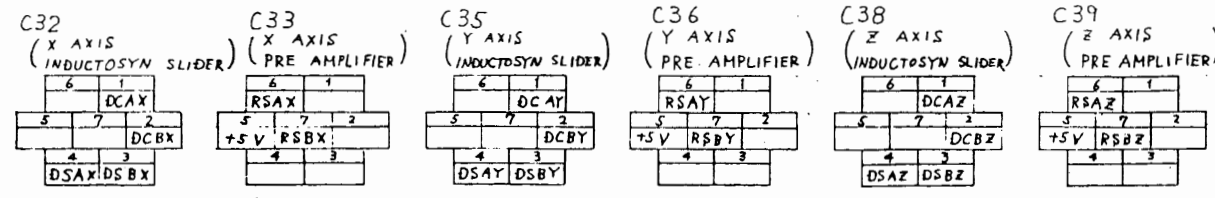
14	8	1
DSAY	8	OH1Y
15	+5V	2
DSBY	4	OH2Y
16	+5V	3
DCAY	10	
17		4
DCBY	11	
18		5
RSBY	12	
19		6
RSAY	13	TSAY
20		7
SG		TSBY

HONDA MR-ZORMD

C37 (Z AXIS DC MOTOR)

14	8	1
DSAZ	8	OH1Z
15	+5V	2
DSBZ	4	OH2Z
16	+5V	3
DCAZ	10	
17		4
DCBZ	11	
18		5
RSBZ	12	
19		6
RSAZ	13	TSAZ
20		7
SG		TSBZ

HONDA MR-ZORMD



HIROSE RM12BRB-7S

DSCG Interface	
A20C-0008-0460	
0461	
Alteration on the page (C) 7/72	
001/4	

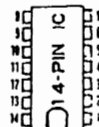
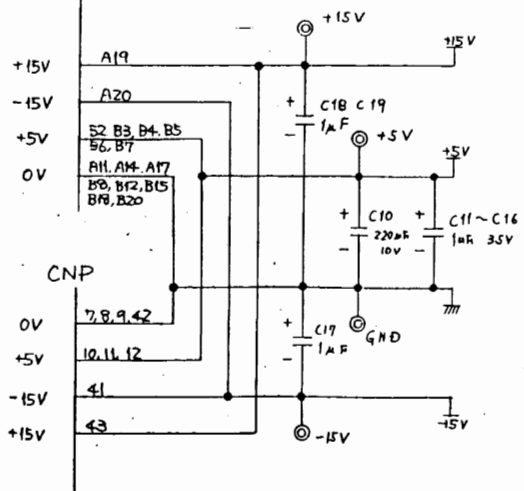
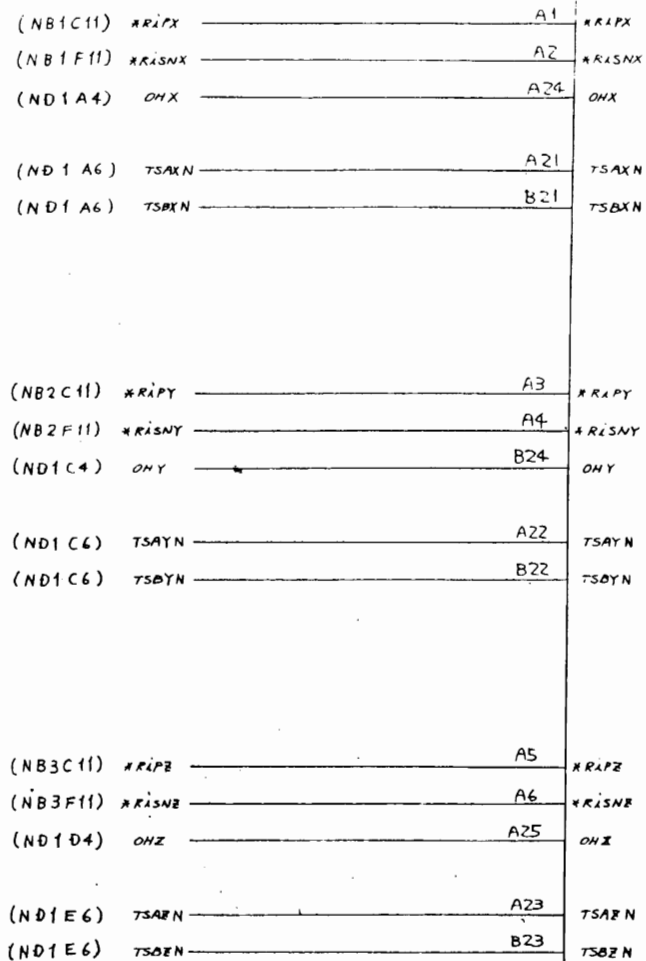
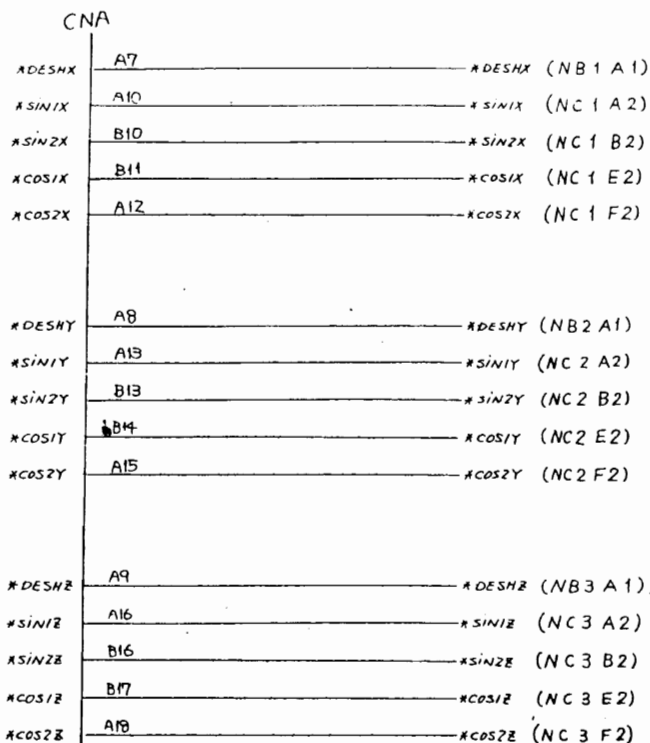
264
260
185
94
166

NAI1

AW13104C9

FROM MASTER P.C.B

CNA TO MASTER P.C.B

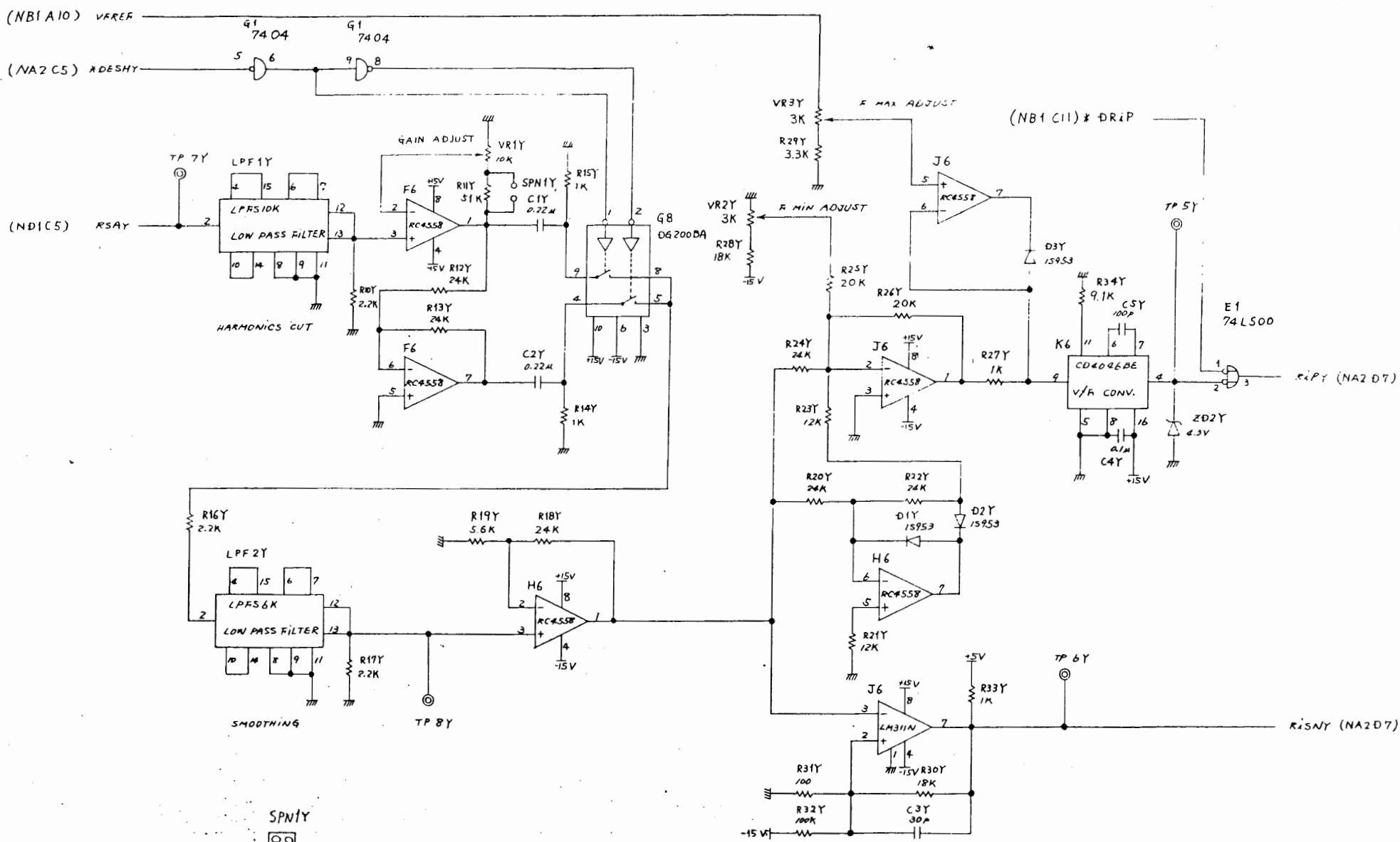


N/A2

A20C-0008-0460		0461	
0002		01	
富士通フロンティア株式会社			

265
 764
 263
 107
 92

AWI-319471



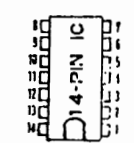
SPN1Y

Open
開放

Normal
標準

Short
短絡

GAIN Decrease
ゲイン減少



NB2

A20C-00C3-G460		C461		Y01	
富士通マイクロエレクトロニクス株式会社					
AVI-319471					

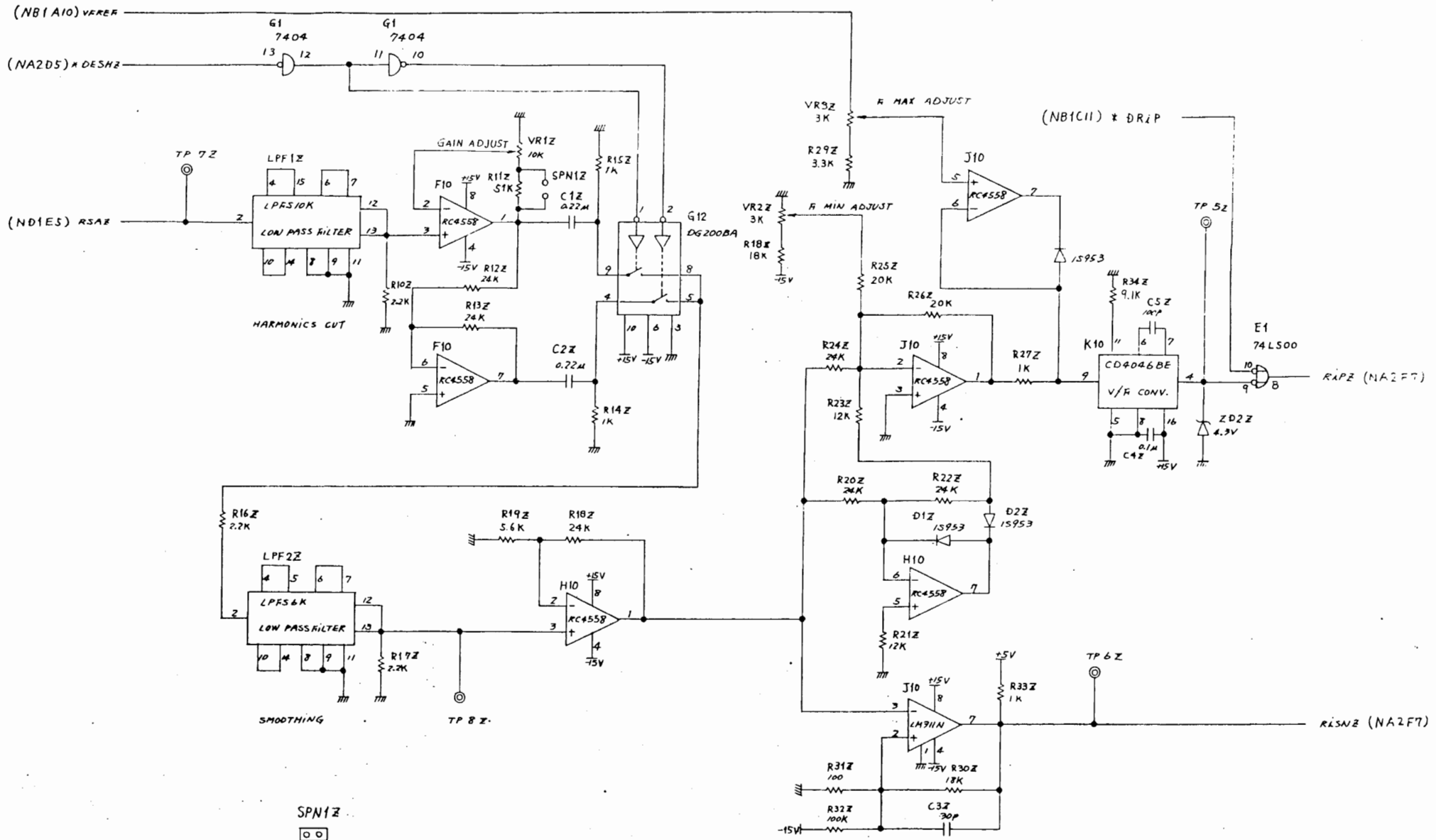
158

100

169

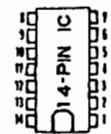
94

AWI-319472



SPN1Z

Open 開放	Normal 標準
Short 短絡	GAIN Decrease 增益減小

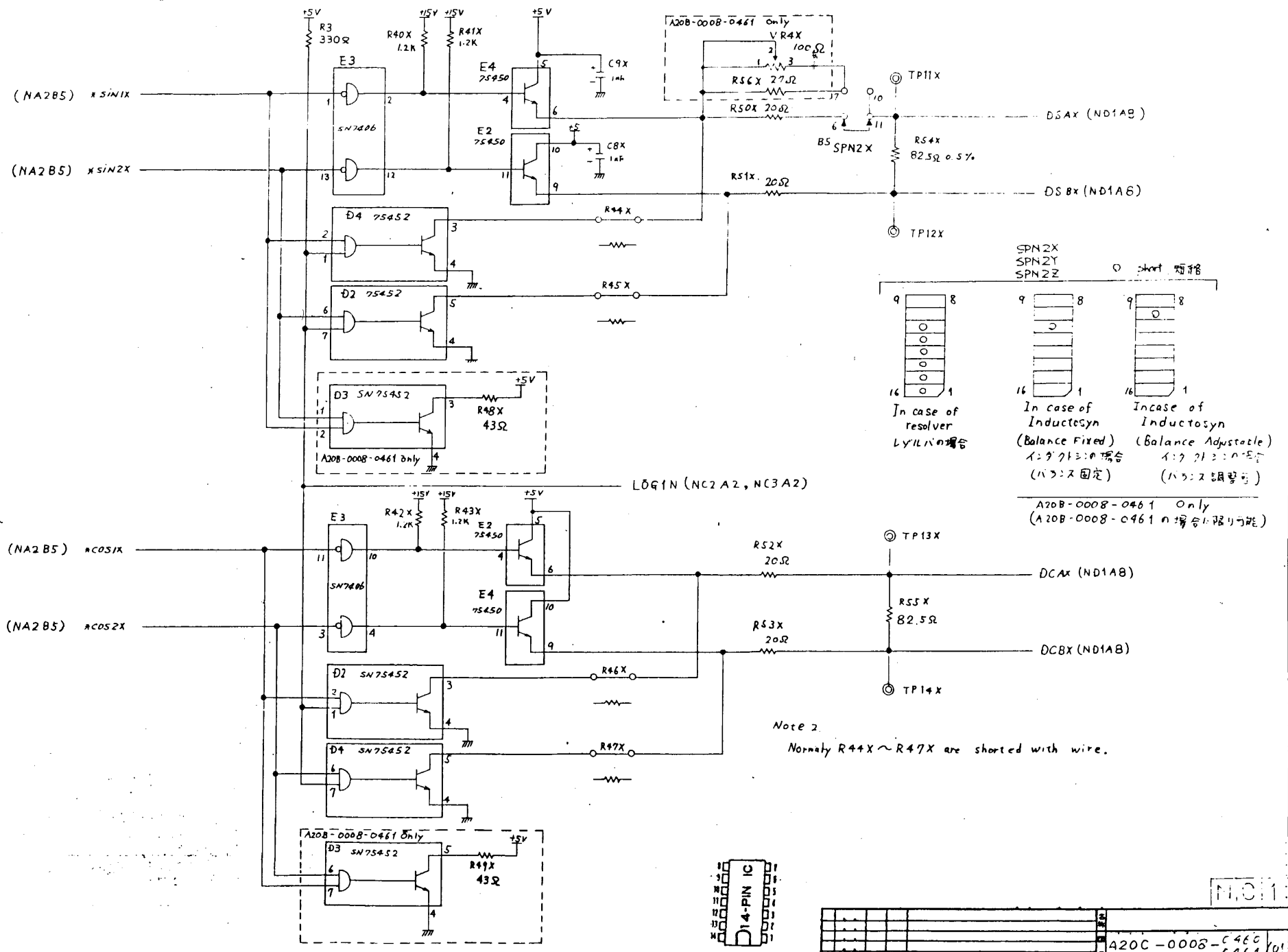


NB13

A20C-0008-C46C		C46101	
富士通株式会社			

265
265
89
770
95

AWI-319473 922

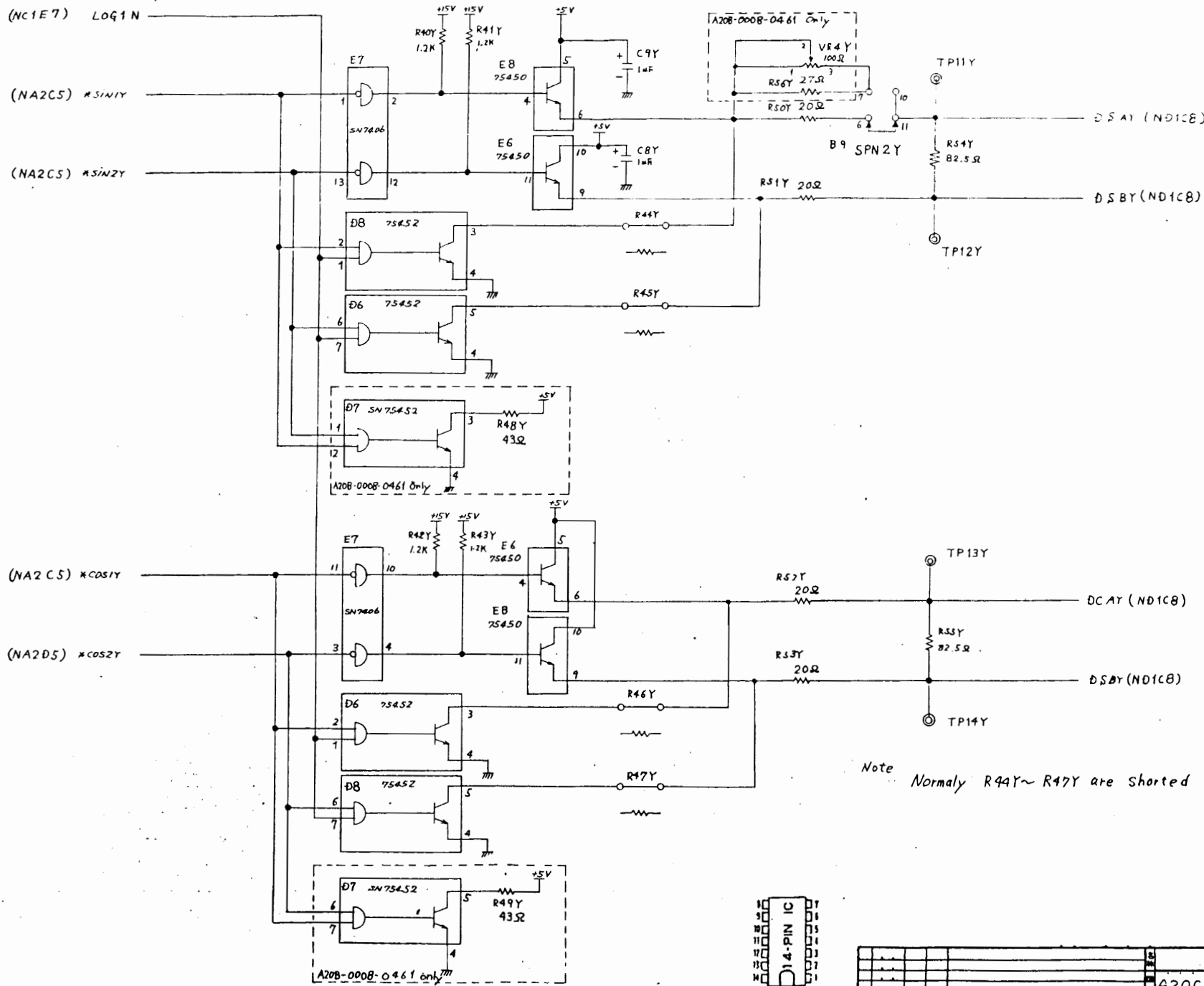


207
266
190
77M
96

AWI-319473		922	
A20C-0008-0460		0461/01	
富士通エレクトロニクス株式会社		006/9	

AW1-319474

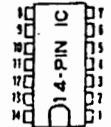
682



Note Normally R44Y~R47Y are shorted with wire.

270
267
172
97

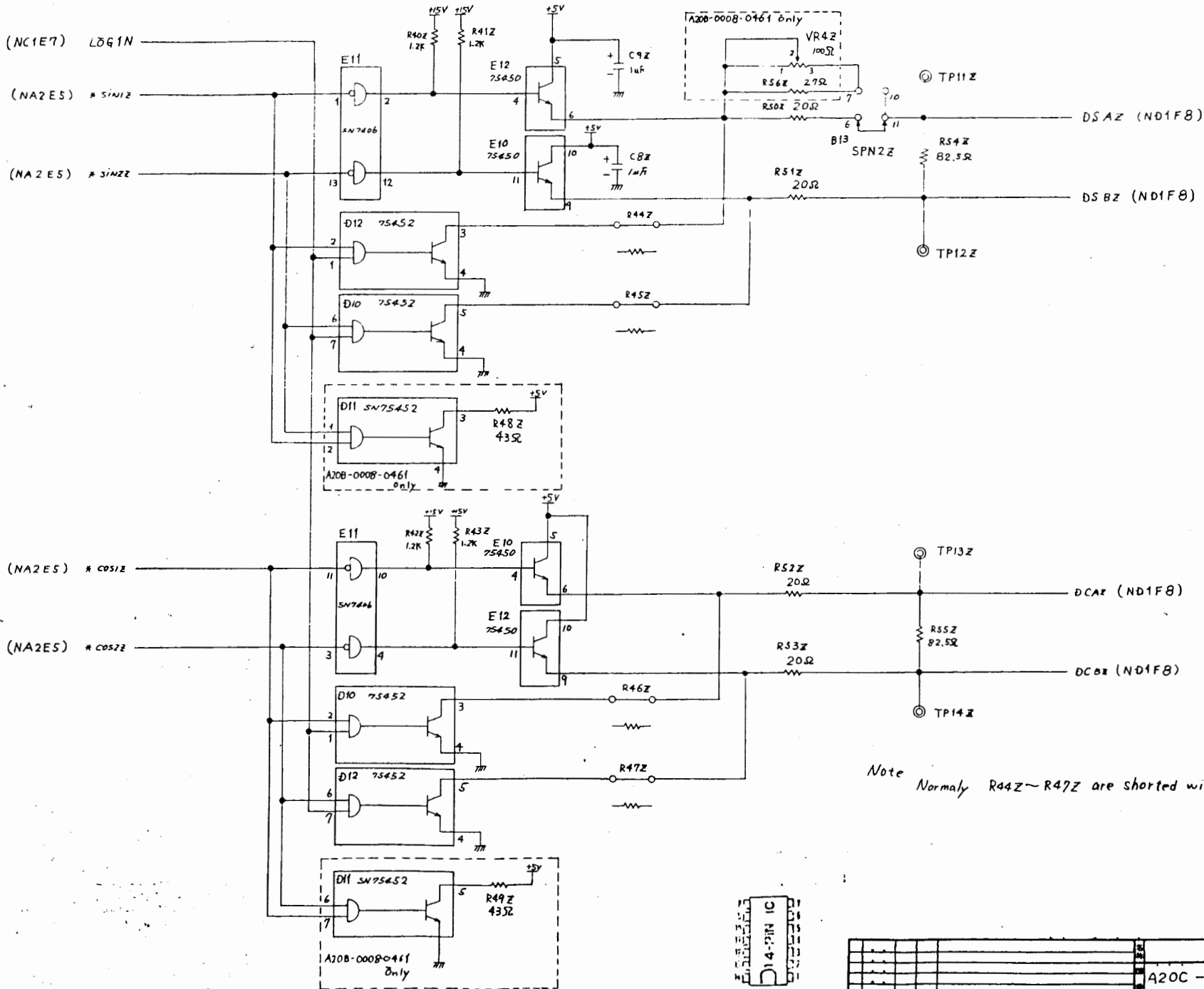
161



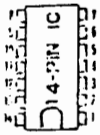
AW1-319474		NIC 2	
A20C-000B-C460		C461	
AW1-319474		07/9	

AWI-319475

271
258
A2
173
98
A2



Note Normally R44Z~R47Z are shorted with wire.



N C 3	
A20C-0008-0460	01
A20C-0008-0461	01
富士通フロンティア株式会社	
008/9	

AWI-31476 695

FROM X-AXIS DC MOTOR

FROM Y-AXIS DC MOTOR

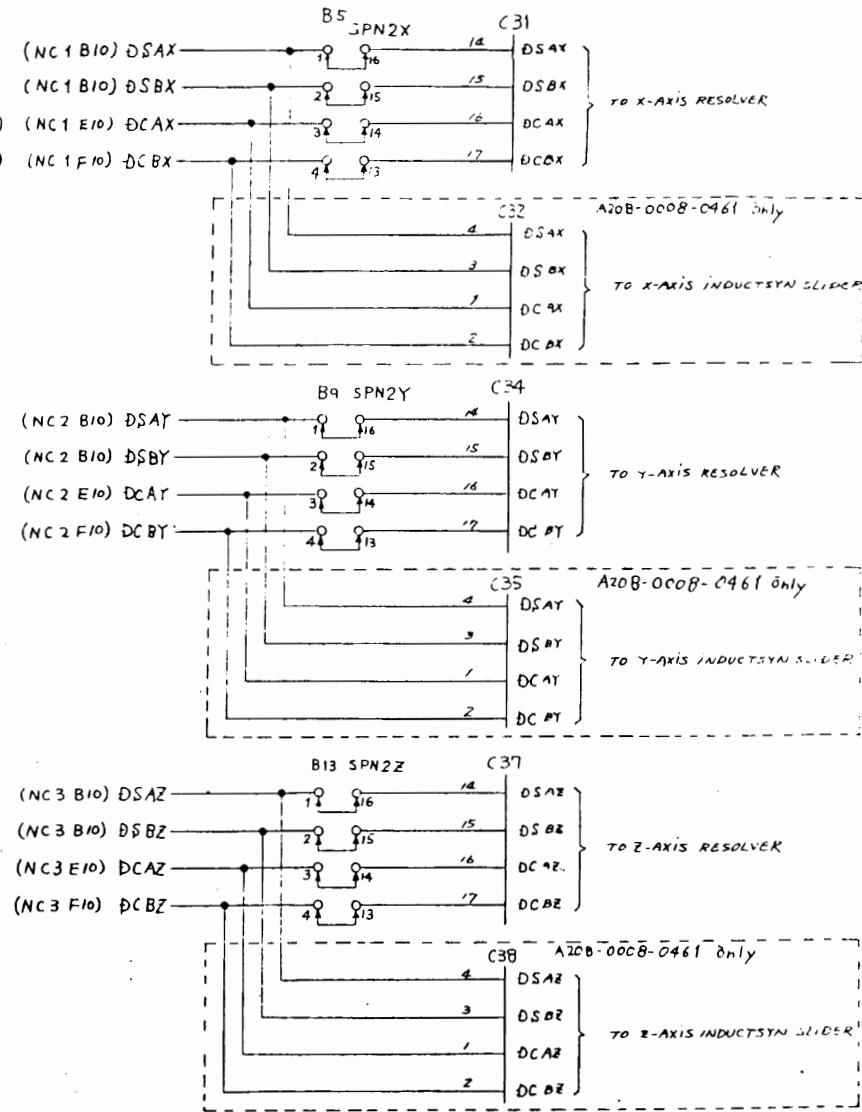
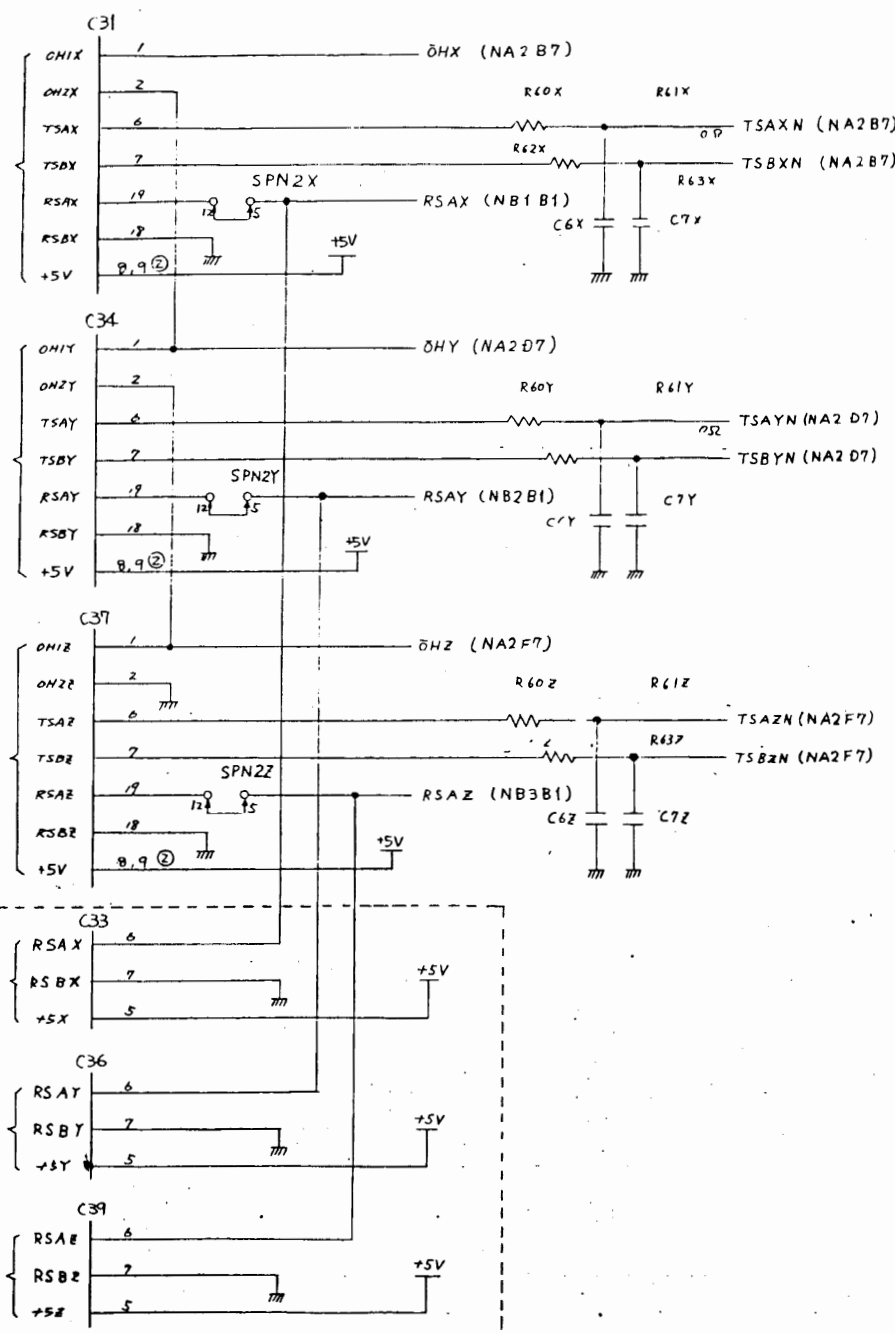
FROM Z-AXIS DC MOTOR

FROM X-AXIS PRE-AMP

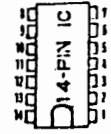
FROM Y-AXIS PRE-AMP

FROM Z-AXIS PRE-AMP

A20B-0008-0461 Only



Handwritten notes: 719, 769, 795, 794, 99.



A20C-0008-0461	
marked details are altered	
富士通フタバ株式会社	