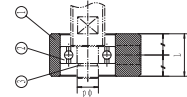
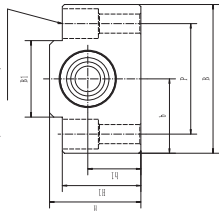


>> EF Type Support Side Support Unit



2-φd1 drill through
φd2 the depth of the hole h



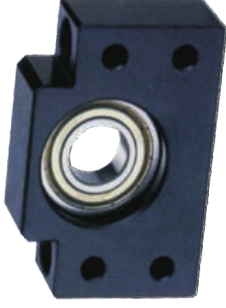
EF 6, 8 type

EF 10, 20 type

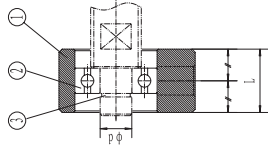
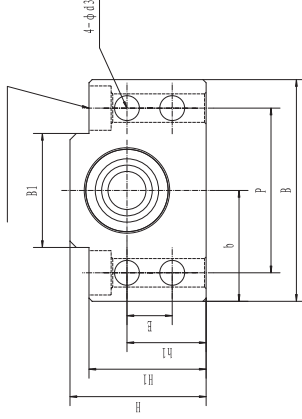
Designation	Axis Diameter d	L	B	H	b	h1	B1	H1	P	d1	d2	h	Used Bearing	Circlip of used bearing	Weight (kg)	Unit mm
EF 6	6	12	42	25	21	13	18	20	30	5.5	9.5	11	606ZZ	C6	0.07	
EF 8	8	14	52	32	26	17	25	26	38	6.6	11	12	606ZZ	C6	0.13	
EF 10	10	20	70	43	35	25	36	24	52	9	-	-	608ZZ	C8	0.33	
EF 12	12	20	70	43	35	25	36	24	52	9	-	-	6000ZZ	C10	0.32	
EF 15	15	20	80	49	40	30	41	25	60	9	-	-	6002ZZ	C15	0.38	
EF 20	20	26	95	58	47.5	30	56	25	75	11	-	-	6204ZZ	C20	0.63	

Component No.	Designation	Amount
1	Clamping Support	1
2	Bearing	1
3	used bearing	1

>> BF Fixed Side Support Unit



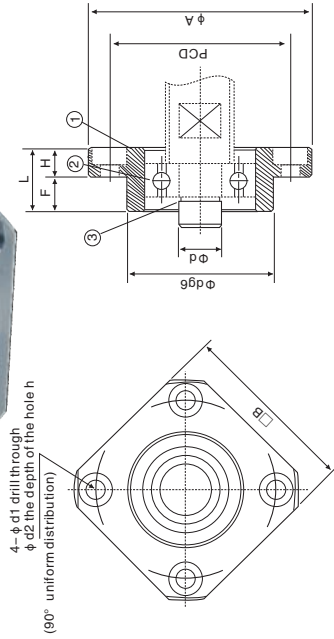
2-φd1 drill through
2-φd1 the depth of the hole



Designation	Axis Diameter d	L	B	H	b	h1	B1	H1	E	P	d3	d1	d2	h	Used Bearing	Circlip of used bearing	Weight (kg)	Unit mm
BF 10	8	20	60	39	30	22	34	32.5	15	46	5.5	6.6	10.8	5	608ZZ	C8	0.29	
BF 12	10	20	60	43	30	25	35	32.5	18	46	5.5	6.6	10.8	1.5	6000ZZ	C10	0.3	
BF 15	15	20	70	48	35	28	40	38	18	54	5.5	6.6	11	6.5	6002ZZ	C15	0.38	
BF 17	17	23	86	64	43	39	50	55	28	68	6.6	9	14	8.5	6203ZZ	C17	0.74	
BF 20	20	26	88	60	44	34	52	50	22	70	6.6	9	14	8.5	6004ZZ	C20	0.76	
BF 25	25	30	106	80	53	48	64	70	33	85	9	11	17.5	11	6205ZZ	C25	1.42	
BF 30	30	32	128	89	64	51	76	78	33	102	11	14	20	13	6206ZZ	C30	1.97	
BF 35	35	32	140	96	70	52	88	79	35	114	11	14	20	13	6207ZZ	C35	2.22	
BF 40	40	37	160	110	80	60	100	90	37	130	14	18	26	17.5	6208ZZ	C40	3.27	

Component No.	Designation	Amount
1	Clamping Support	1
2	Bearing	1
3	used bearing	1

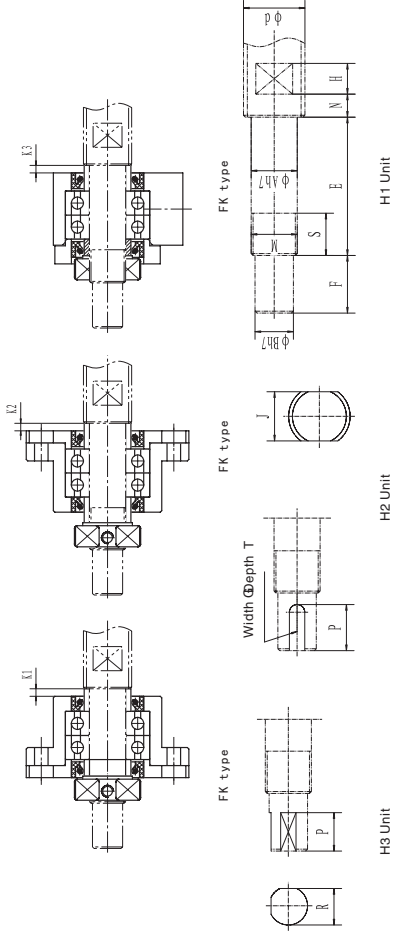
>> FF Type Support Side Support Unit



Designation	Axis Diameter d	L	H	F	D	A	PCD	d1	d2	h	Used Bearing	Circlip of used bearing	Weight (kg)	Unit mm
FF 6	6	10	6	4	22 ^{-0.007}	36	28	3.4	6.5	4	606ZZ	C6	0.04	
FF 10	8	12	7	5	28 ^{-0.007}	43	35	3.4	6.5	4	608ZZ	C8	0.07	
FF 12	10	15	7	8	34 ^{-0.028}	52	42	4.5	8	4	6000ZZ	C10	0.11	
FF 15	15	17	9	8	40 ^{-0.098}	63	52	5.5	9.5	5.5	6002ZZ	C15	0.2	
FF 20	20	20	11	9	57 ^{-0.029}	85	68	6.6	11	6.5	6004ZZ	C20	0.27	
FF 25	25	24	14	10	63 ^{-0.025}	98	79	9	14	8.5	6205ZZ	C25	0.67	
FF 30	30	27	18	9	75 ^{-0.029}	117	93	11	17.5	11	6206ZZ	C30	1.07	

Component No.	Designation	Amount
1	Clamping Support	1
2	Bearing	1
3	used bearing	1

>> Recommended the bearing end shape is H type (H1,H2,H3) (Used to support unit FK,EK type)

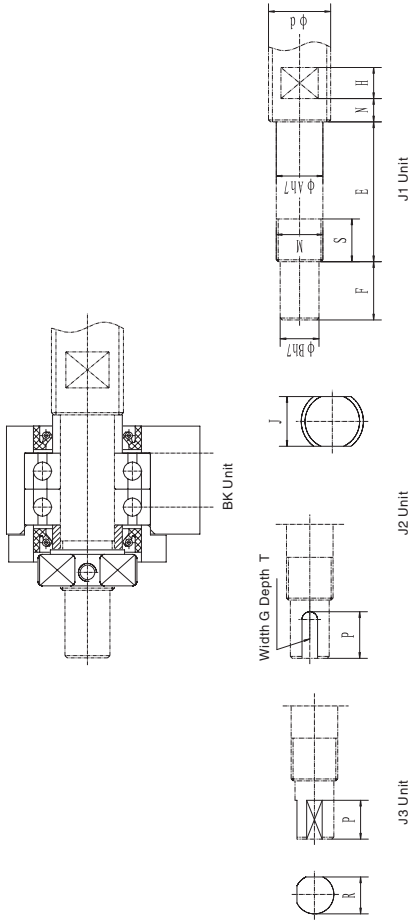


Designation FK Type	Ball Screw Diameter d	Bearing part Diameter A	B	E	F	Metric Screw Thread			Opposite Edges Width			H2 type Keyway	H2 type Process sides into flat	The location of support unit FK type			Unit mm
						M	S	J	N	H	G			T _r +0.1 P	R	P	
FK4	6	4	3	23	5	M4×0.5	7	4	4	4	-	-	2.7	4	1.5	0.5	1.5
FK5	8	5	4	25	6	M5×0.5	7	5	4	4	-	-	3.7	5	2	0.5	2
FK6	8	6	4	30	8	M6×0.75	8	5	4	4	-	-	3.7	6	3.5	0.5	3.5
FK8	12	8	6	35	9	M8×1	10	8	5	5	-	-	5.6	7	3.5	0.5	3.5
FK10	14	10	8	36	15	M10×1	11	10	5	7	2	1.2	11	7.5	11	0.5	-0.5
FK10	15	10	8	36	15	M10×1	11	10	5	7	2	1.2	11	7.5	11	0.5	-0.5
FK12	16	12	10	36	15	M12×1	11	13	6	8	3	1.8	12	9.5	12	0.5	-0.5
FK12	18	12	10	36	15	M12×1	11	13	6	8	3	1.8	12	9.5	12	0.5	-0.5
FK15	20	15	12	49	20	M15×1	13	16	6	9	4	2.5	16	11.3	16	4	2
FK15	25	15	12	49	20	M15×1	13	18	7	10	4	2.5	16	11.3	16	4	2
FK20	28	20	17	64	25	M20×1	17	21	8	11	5	3	21	16	21	1	-3
FK20	30	20	17	64	25	M20×1	17	24	8	12	5	3	21	16	21	1	-3
FK20	32	20	17	64	25	M20×1	17	27	9	13	5	3	21	16	21	1	-3
FK25	-	36	25	76	30	M25×1.5	20	27	10	13	6	3.5	25	19	25	5	-2
FK30	-	40	30	72	38	M30×1.5	25	32	10	15	8	4	32	23.5	32	-3	-9

Noted:

1. We can design the dimension of support unit as FK, FF, EF type or BK, BF combination which all can be used in the same screw.
2. ZNT Company can machine the bearing ends as above dimension.
3. About bearing end face side verticality data please refer to JIS B 1192-1997.

>> Recommended the bearing end shape is J type (J1,J2,J3) (Used to support unit BK type)



J3 Unit

J2 Unit

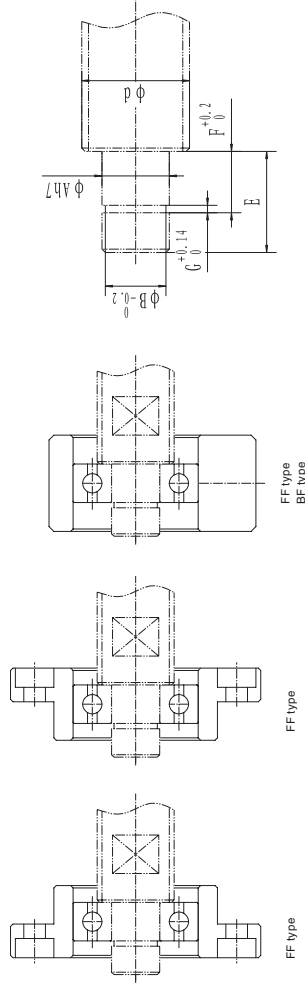
J1 Unit

Desing ation Type	Ball/Screw Diameter d	Bearing part Diameter A	E	F	Metric Screw Thread M	Opposite Edges Width			J2 type Keyway N9±0.1	J3 type Process sides into flat					
						J	N	H		G	T	P	R	P	
BK 10	14	10	8	39	15	M12 X 1	16	10	5	7	2	1.2	11	7.5	11
BK 10	15	10	8	39	15	M12 X 1	16	10	5	7	2	1.2	11	7.5	11
BK 12	16	12	10	39	15	M12 X 1	14	13	6	8	3	1.8	12	9.5	12
BK 12	18	12	10	39	15	M12 X 1	14	13	6	8	3	1.8	12	9.5	12
BK 15	20	15	12	40	20	M15 X 1	12	16	6	9	4	2.5	16	11.3	16
BK 17	25	17	15	53	23	M17 X 1	17	18	7	10	5	3	21	14.3	21
BK 20	28	20	17	53	25	M20 X 1	15	21	8	11	5	3	21	16	21
BK 20	30	20	17	53	25	M20 X 1	15	24	8	12	5	3	21	16	21
BK 20	32	20	17	53	25	M20 X 1	15	27	9	13	5	3	21	16	21
BK 25	36	25	20	65	30	M25 X 1.5	18	27	10	13	6	3.5	25	19	25
BK 30	40	30	25	72	38	M30 X 1.5	25	32	10	15	8	4	32	23.5	32
BK 35	45	35	30	83	45	M35 X 1.5	28	36	12	15	8	4	40	28.5	40
BK 40	50	40	35	98	50	M40 X 1.5	35	41	14	19	10	5	45	33	45
BK 40	55	40	35	98	50	M40 X 1.5	35	46	14	20	10	5	45	33	45

Noted:

1. We can design the dimension of support unit as FK, FF, EF type or BK, BF combination which all can be used in the same screw.
2. ZNT Company can machine the bearing ends as above dimension.
3. About bearing end face side vertically data please refer to JIS B 1192-1997.

>> Recommended the bearing end shape is K type (Used to support unit FF, EF and BF type)



Unit mm

Desing ation	FF type	EF type	BF type	Ball Screw Diameter d	Bearing part Diameter A	E	Snap Ring Groove		
							B	F	G
FF 10	FF 10	EF 10	BF 10	14	8	10	7.6	7.9	0.9
FF 10	FF 10	EF 10	BF 10	15	8	10	7.6	7.9	0.9
FF 12	FF 12	EF 12	BF 12	16	10	11	9.6	9.15	1.15
FF 12	FF 12	EF 12	BF 12	18	10	11	9.6	9.15	1.15
FF 15	FF 15	EF 15	BF 15	20	15	13	14.3	10.15	1.15
FF 15	FF 15	EF 15	BF 15	25	15	13	14.3	10.15	1.15
FF 17	—	—	BF 17 *	25	17	16	16.2	13.15	1.15
FF 20	FF 20	EF 20	BF 20 *	28	20	19	16	15.35	1.35
FF 20	FF 20	EF 20	BF 20 *	30	20	19	16	15.35	1.35
FF 20	FF 20	EF 20	BF 20 *	32	20	19	16	15.35	1.35
FF 25	—	—	BF 25	36	25	20	23.9	16.35	1.35
FF 30	—	—	BF 30	40	30	21	28.6	17.75	1.75
FF 35	—	—	BF 35	45	35	22	33	18.75	1.75
FF 40	—	—	BF 40	50	40	23	38	19.95	1.95
FF 40	—	—	BF 40	55	40	23	38	19.95	1.95

Noted:

1. We can design the dimension of support unit as FK, FF, EF type or BK, BF combination which all can be used in the same screw.
2. ZNT Company can machine the bearing ends as above dimension.
3. About bearing end face side vertically data please refer to JIS B 1192-1997.
4. When the fixed side of ball screw axis diameter is 25mm uses BK17 type (axis end shape J), support side is BF17.
5. * represent the dimension in the bracket is BF20 dimension, which is different with FF20 and EF20 dimension. Please inform support unit model No. when you put order.