

Terminal No.	Signal name	Function		
		Mark	I/O	Description
CN2-21	Encoder U+ input	U+	Type7	Connecting with servo motor photoelectric encode U+
CN2-09	Encoder U- input	U-		Connecting with servo motor photoelectric encode U-
CN2-20	Encoder V+ input	V+	Type7	Connecting with servo motor photoelectric encode V+
CN2-08	Encoder V- input	V-		Connecting with servo motor photoelectric encode V-
CN2-19	Encoder W+ input	W+	Type7	Connecting with servo motor photoelectric encode W+
CN2-07	Encoder W- input	W-		Connecting with servo motor photoelectric encode W-
CN2-15	Shielding ground	FG	Type7	Shield the ground terminal
CN2-14				
CN2-13	Full			
CN2-16	Full			
CN2-25	Full			

3.4 Interface terminal configuration

Diagram 3.1 is servo driver interface terminal configuration diagram. Among them, CN2 is DB25 connector, socket is hole type, plug is pin type; CN1 is also for DB25 connector, but socket is pin type, plug is hole type.

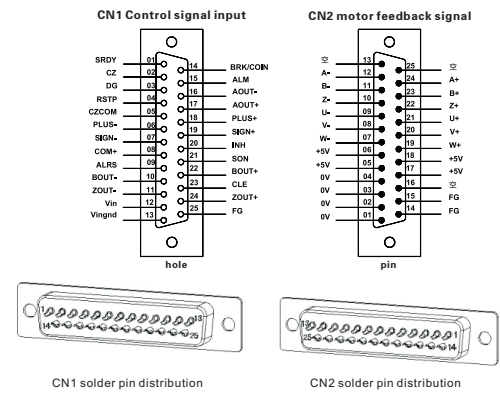


Diagram 3.1 servo driver interface terminal

3.5 Input/output interface of switching volume

3.5.1 Input interface of switching volume

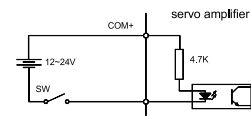


Diagram 3.2 Input interface of switching volume